

IStream Indoor Condensing Unit

for Refrigeration Applications (13-50 HP)



Product catalogue

COPELAND™


EMERSON™

IStream Indoor Condensing Unit for highly efficient and reliable operation



IStream Indoor Condensing Unit for highly efficient and reliable operation

The IStream indoor condensing unit is Emerson's latest innovative development in the semi-hermetic unit segment. This platform responds to advanced system requirements focusing on efficiency, refrigerant flexibility and reliability. For many years, users of semi-hermetic condensing units have relied on Emerson to provide high performance and value to the refrigeration market. Long term engineering and manufacturing experience combined with innovative technologies now unleash new opportunities in medium and low temperature applications.

This catalogue presents information for medium and low temperature applications using R404A.

For applications using other refrigerants, please contact your Emerson representative.



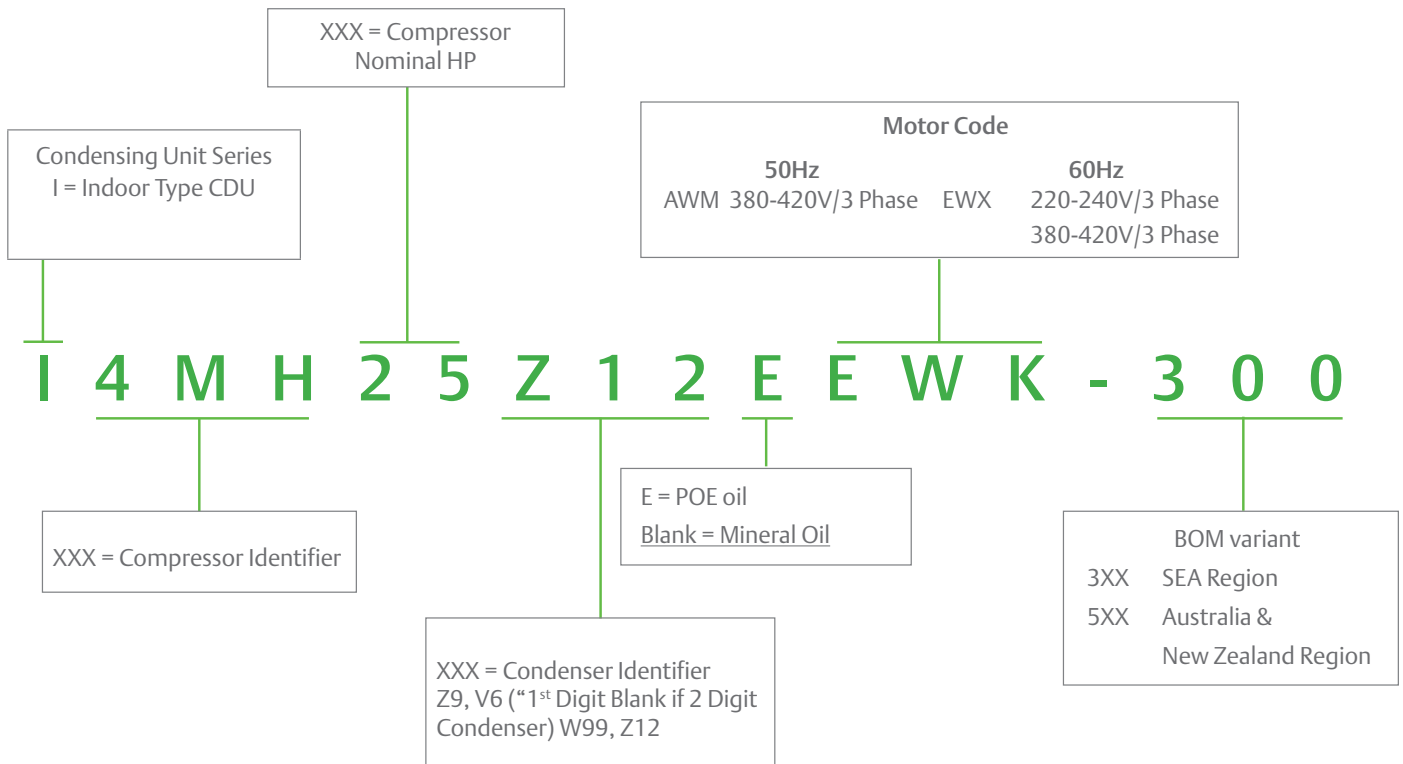
Table of Contents

Features and benefits	04
Nomenclature	05
Bill of material	05
Layout	06
Operating envelopes	07
Performance data	08
Technical data	18
Dimensional drawings	20
Contact lists	24

Features	Benefits
Stream compressor's unique Discus™ valve technology for improved efficiency	<ul style="list-style-type: none"> • Lower operating costs • Energy savings
<p>Big motor models for MT from -45°C to 7°C evaporating temperature</p> <p>Small motor models for LT from -50°C to -5°C evaporating temperature</p>	<ul style="list-style-type: none"> • Complete application coverage from 13 Up To 50 HP • Better efficiencies for MT and LT applications with optimized models
<p>Multiple refrigerant approvals increasing flexibility for system design</p> <ul style="list-style-type: none"> • Stream units are approved for operation with R134a, R404A/R507, R407A, R407C, R407F, R448A, R449A 	<ul style="list-style-type: none"> • One model fits all refrigerants • Design flexibility • Less variation of refrigeration equipment • Easier logistics & lower stock levels
<p>Maximum reliability through CoreSense™ diagnostics with motor overheat protection</p> <ul style="list-style-type: none"> • Oil level protection • High discharge temperature protection • Advanced motor protection against single phasing, locked rotor and voltage imbalance • Alarm history • LED status display 	<ul style="list-style-type: none"> • Reduced maintenance time and costs • Reduced site visits through remote access • Increased reliability and durability reducing system downtime



Nomenclature



Bill of Material

Item	Description	Item
3/500	Fully feature unit	With solder filter drier, sight glass, oil separator, suction accumulator
3/501	Semi featured unit	With solder filter drier, sight glass, oil separator
3/502	Basic unit	With solder filter drier, sight glass
3/5X0	Variation of 3/500	
3/5X1	Variation of 3/501	
3/5X2	Variation of 3/502	

	3/500	3/501	3/502
Compressor	✓	✓	✓
Crankcase Heater	✓	✓	✓
Oil Sight Glass	✓	✓	✓
Discharge Line Vibration Absorber	✓	✓	✓
Dual Pressure Switch	✓	✓	✓
Electronic Oil Pressure Switch	✓	✓	✓
Oil Separator	✓	✓	
Suction Accumulator	✓		
Liquid Filter Drier	✓	✓	✓
Liquid Sight Glass	✓	✓	✓

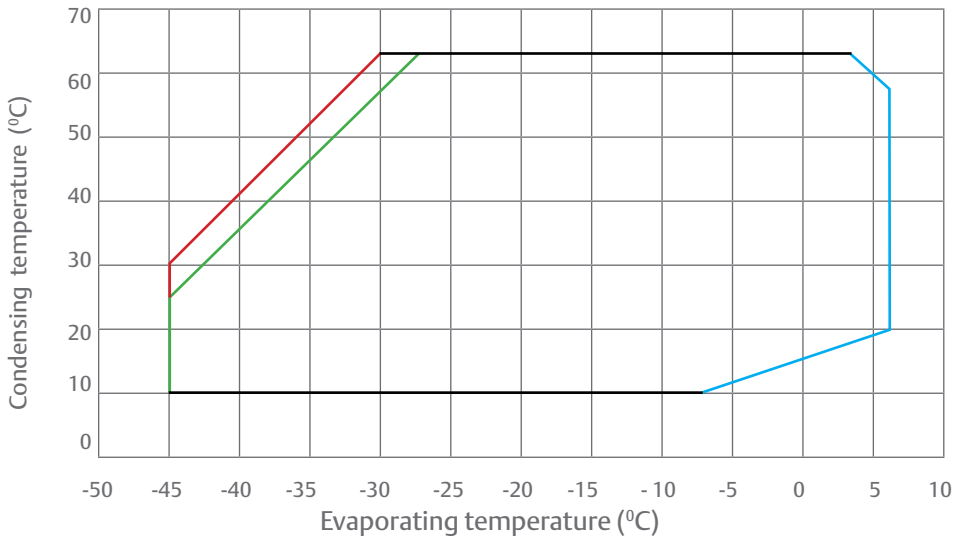
Layout



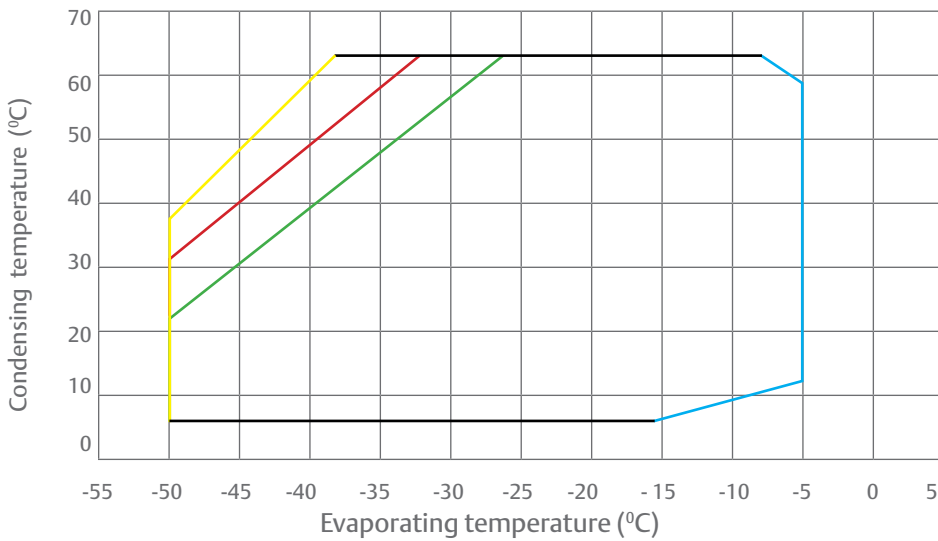
Operating envelopes

R404A

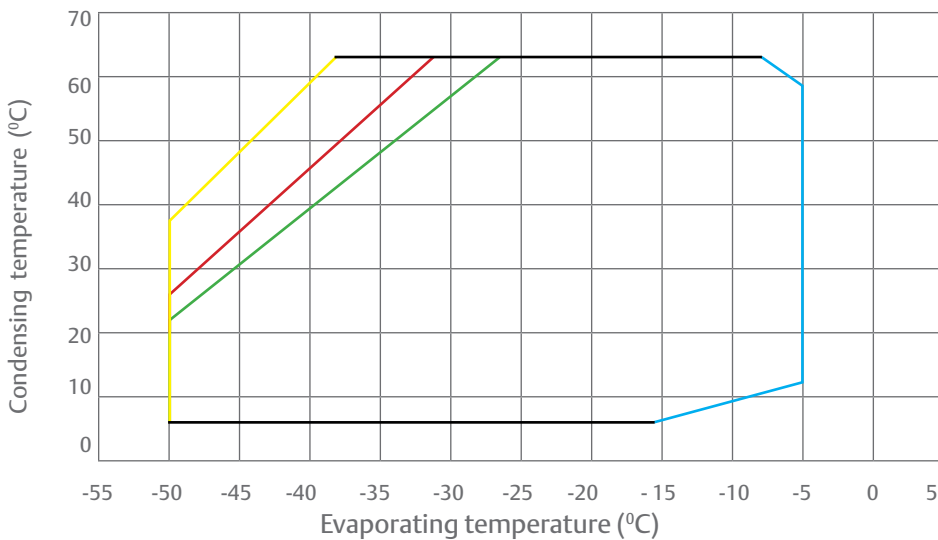
Medium temperature application
 4MA-22X, 4MH-25X, 4MI-30X, 4MJ-33X,
 4MK-35X, 6MI-40X, 6MJ-45X, 6MK-50X



Low temperature application
 4MF-13X, 4ML-15X, 4MM-20X, 4MT-22X,
 6MM-30X, 6MT-35X, 6MU-40X



4MU-25X



Performance data

50Hz

V6-4MF-13X-AWM

R404A	Evaporating Temperature °C															
	-40		-35		-30		-25		-20		-15		-10		-5	
Ambient Temperature °C	Q	P	Q	P	Q	P	Q	P	Q	P	Q	P	Q	P	Q	P
27	9.08	7.30	11.85	8.45	15.00	9.65	18.51	10.91	22.37	12.23	26.56	13.60	31.04	15.05	35.78	16.57
32			10.76	8.56	13.65	9.84	16.88	11.19	20.42	12.60	24.27	14.07	28.39	15.62	32.75	17.23
38			9.46	8.64	12.05	10.02	14.93	11.47	18.10	12.99	21.54	14.58	25.23	16.24		
43					10.74	10.13	13.33	11.67	16.18	13.28	19.28	14.97	22.60	16.73		
46					9.96	10.18	12.38	11.77	15.04	13.44	17.93	15.18	21.03	17.00		
49							11.44	11.86	13.90	13.59	16.58	15.39				

V6-4ML-15X-AWM

R404A	Evaporating Temperature °C															
	-40		-35		-30		-25		-20		-15		-10		-5	
Ambient Temperature °C	Q	P	Q	P	Q	P	Q	P	Q	P	Q	P	Q	P	Q	P
27	10.99	8.65	14.21	10.05	17.81	11.55	21.76	13.15	26.05	14.83	30.63	16.59	35.47	18.41	40.51	20.29
32			13.00	10.20	16.33	11.77	19.98	13.45	23.92	15.22	28.13	17.07	32.57	18.99	37.20	20.97
38					14.55	12.00	17.83	13.76	21.37	15.63	25.13	17.59	29.09	19.63		
43					13.05	12.15	16.03	13.99	19.23	15.94	22.63	17.98	26.20	20.11		
46							14.95	14.11	17.95	16.10	21.12	18.20				
49							13.86	14.21								

W9-4MT-22X-AWM

R404A	Evaporating Temperature °C															
	-40		-35		-30		-25		-20		-15		-10		-5	
Ambient Temperature °C	Q	P	Q	P	Q	P	Q	P	Q	P	Q	P	Q	P	Q	P
27	13.76	10.75	17.44	12.50	21.53	14.38	25.97	16.41	30.75	18.56	35.8	20.84	41.08	23.26	46.52	25.81
32			15.92	12.69	19.68	14.67	23.76	16.79	28.13	19.05	32.75	21.44	37.58	23.96		
38					17.45	14.92	21.09	17.16	24.97	19.54	29.07	22.06	33.36	24.71		
43					15.58	15.06	18.84	17.40	22.33	19.88	26.00	22.50				
46							17.50	17.50	20.73	20.05						
49							16.15	17.58								

W9-4MM-20X-AWM

R404A	Evaporating Temperature °C															
	-40		-35		-30		-25		-20		-15		-10		-5	
Ambient Temperature °C	Q	P	Q	P	Q	P	Q	P	Q	P	Q	P	Q	P	Q	P
27	12.40	9.62	15.89	11.13	19.73	12.73	23.90	14.44	28.36	16.27	33.05	18.21	37.93	20.27	42.94	22.47
32			14.51	11.31	18.05	13.02	21.87	14.84	25.94	16.78	30.21	18.83	34.64	21.02	39.19	23.33
38					16.02	13.29	19.42	15.24	23.02	17.32	26.79	19.52	30.70	21.84		
43					14.32	13.45	17.37	15.51	20.59	17.70	23.94	20.03				
46							16.14	15.64	19.13	17.91						
49							14.91	15.75								

Performance data

50Hz

Z9-4ML-15X-AWM

R404A	Evaporating Temperature °C															
	-40		-35		-30		-25		-20		-15		-10		-5	
Ambient Temperature °C	Q	P	Q	P	Q	P	Q	P	Q	P	Q	P	Q	P	Q	P
27	11.79	9.69	15.45	11.00	19.67	12.36	24.50	13.75	29.96	15.14	36.04	16.51	42.75	17.86	50.09	19.15
32	10.77	9.81	14.19	11.19	18.12	12.64	22.60	14.13	27.66	15.65	33.29	17.16	39.52	18.65	46.33	20.10
38			12.66	11.38	16.25	12.92	20.32	14.54	24.89	16.19	30.00	17.85	35.64	19.51	41.83	21.14
43					14.67	13.12	18.40	14.83	22.58	16.59	27.25	18.37	32.41	20.16	38.08	21.94
46					13.72	13.22	17.24	14.98	21.19	16.8	25.60	18.66	30.47	20.52		
49					12.76	13.32	16.08	15.12	19.80	17	23.94	18.92	28.54	20.87		

Z9-4MM-20X-AWM

R404A	Evaporating Temperature °C															
	-40		-35		-30		-25		-20		-15		-10		-5	
Ambient Temperature °C	Q	P	Q	P	Q	P	Q	P	Q	P	Q	P	Q	P	Q	P
27	13.35	10.64	17.34	12.01	21.90	13.42	27.05	14.86	32.80	16.34	39.15	17.84	46.08	19.36	53.58	20.92
32	12.18	10.78	15.91	12.26	20.14	13.79	24.90	15.37	30.20	16.98	36.06	18.63	42.46	20.31	49.38	22.02
38			14.17	12.49	18.00	14.17	22.30	15.9	27.07	17.68	32.33	19.51	38.08	21.37	44.32	23.28
43					16.20	14.41	20.11	16.28	24.44	18.21	29.21	20.18	34.42	22.2	40.08	24.27
46					15.12	14.52	18.79	16.47	22.85	18.49	27.32	20.56	32.22	22.67		
49					14.03	14.61	17.46	16.64	21.26	18.74	25.43	20.91	30.01	23.12		

Z9-4MA-22X-AWM

R404A	Evaporating Temperature °C															
	-40		-35		-30		-25		-20		-15		-10		-5	
Ambient Temperature °C	Q	P	Q	P	Q	P	Q	P	Q	P	Q	P	Q	P	Q	P
27	9.57	8.34	13.00	9.48	16.88	10.59	21.25	11.68	26.16	12.74	31.63	13.77	37.69	14.78	44.35	15.76
32	8.37	8.29	11.65	9.54	15.32	10.78	19.42	12.00	24.01	13.19	29.11	14.36	34.75	15.51	40.95	16.64
38			10.03	9.53	13.46	10.93	17.25	12.30	21.45	13.67	26.11	15.01	31.25	16.34	36.89	17.65
43					11.91	10.98	15.45	12.50	19.34	14.00	23.63	15.5	28.36	16.98	33.55	18.44
46					10.99	10.98	14.37	12.58	18.08	14.18	22.16	15.76	26.64	17.34	31.55	18.90
49					10.07	10.95	13.31	12.64	16.83	14.33	20.69	16.01	24.92	17.68	29.57	19.34

Z9-4MT-22X-AWM

R404A	Evaporating Temperature °C															
	-40		-35		-30		-25		-20		-15		-10		-5	
Ambient Temperature °C	Q	P	Q	P	Q	P	Q	P	Q	P	Q	P	Q	P	Q	P
27	14.94	11.74	19.23	13.34	24.16	15.00	29.77	16.73	36.06	18.49	43.05	20.29	50.71	22.12	59.03	23.97
32	13.65	11.9	17.65	13.61	22.23	15.40	27.43	17.25	33.27	19.16	39.75	21.11	46.86	23.09	54.59	25.10
38			15.72	13.85	19.88	15.78	24.59	17.79	29.87	19.87	35.73	22.00	42.18	24.17	49.21	26.36
43					17.89	16.02	22.18	18.16	26.99	20.38	32.34	22.65	38.24	24.97		
46					16.69	16.13	20.72	18.34	25.25	20.64	30.29	23.00	35.86	25.41		
49					15.48	16.20	19.26	18.50	23.51	20.88	28.24	23.33	33.47	25.83		

Performance data

50Hz

Z9-4MH-25X-AWM

R404A	Evaporating Temperature °C															
	-40		-35		-30		-25		-20		-15		-10		-5	
Ambient Temperature °C	Q	P	Q	P	Q	P	Q	P	Q	P	Q	P	Q	P	Q	P
27	11.04	9.53	14.79	10.80	19.12	12.11	24.07	13.44	29.68	14.79	35.96	16.13	42.92	17.46	50.57	18.77
32			13.41	10.88	17.48	12.30	22.11	13.77	27.33	15.25	33.16	16.75	39.63	18.25	46.73	19.74
38			11.74	10.89	15.49	12.46	19.71	14.09	24.46	15.75	29.76	17.44	35.63	19.13	42.08	20.83
43					13.80	12.53	17.70	14.29	22.05	16.11	26.90	17.96	32.27	19.82	38.17	21.70
46					12.79	12.55	16.48	14.4	20.59	16.30	25.17	18.25	30.24	20.22	35.81	22.21
49					11.77	12.55	15.26	14.48	19.13	16.48	23.43	18.52	28.20	20.60	33.45	22.70

Z9-4MU-25X-AWM

R404A	Evaporating Temperature °C															
	-40		-35		-30		-25		-20		-15		-10		-5	
Ambient Temperature °C	Q	P	Q	P	Q	P	Q	P	Q	P	Q	P	Q	P	Q	P
27	16.12	12.91	20.83	14.80	26.24	16.77	32.37	18.82	39.24	20.92	46.81	23.07	55.07	25.24		
32	14.79	13.07	19.15	15.06	24.15	17.15	29.81	19.32	36.13	21.55	43.11	23.82	50.73	26.13		
38			17.08	15.28	21.56	17.49	26.63	19.79	32.30	22.16	38.57	24.58				
43					19.36	17.66	23.93	20.06	29.04	22.53	34.71	25.07				
46					18.02	17.71	22.28	20.17	27.06	22.70	32.37	25.30				
49							20.63	20.23	25.07	22.83						

Z9-4MI-30X-AWM

R404A	Evaporating Temperature °C															
	-40		-35		-30		-25		-20		-15		-10		-5	
Ambient Temperature °C	Q	P	Q	P	Q	P	Q	P	Q	P	Q	P	Q	P	Q	P
27	12.63	10.40	16.98	11.89	21.80	13.37	27.16	14.85	33.08	16.31	39.60	17.78	46.71	19.26	54.42	20.76
32			15.39	12.01	19.97	13.66	25.00	15.30	30.52	16.93	36.56	18.57	43.14	20.21	50.26	21.86
38			13.43	12.04	17.70	13.9	22.33	15.75	27.36	17.60	32.84	19.44	38.78	21.28	45.19	23.14
43					15.78	13.99	20.06	16.03	24.68	18.06	29.67	20.09	35.08	22.12	40.90	24.15
46					14.61	14	18.69	16.16	23.05	18.31	27.76	20.45	32.83	22.59	38.31	24.73
49					13.44	13.97	17.31	16.25	21.42	18.52	25.83	20.78	30.58	23.04	35.70	25.30

Z9-6MM-30X-AWM

R404A	Evaporating Temperature °C															
	-40		-35		-30		-25		-20		-15		-10		-5	
Ambient Temperature °C	Q	P	Q	P	Q	P	Q	P	Q	P	Q	P	Q	P	Q	P
27	19.35	15.53	24.74	17.77	30.88	20.10	37.79	22.53	45.49	25.06	53.97	27.72	63.19	30.53	73.09	33.50
32			22.78	18.16	28.44	20.68	34.78	23.29	41.84	26.02	49.62	28.87	58.07	31.87	67.18	35.03
38			20.35	18.45	25.45	21.20	31.12	24.05	37.42	27.01	44.35	30.10	51.91	33.34		
43					22.91	21.46	28.04	24.51	33.71	27.68	39.94	30.98	46.76	34.42		
46					21.37	21.53	26.17	24.71	31.46	28.01	37.29	31.44	43.66	35.00		
49							24.29	24.85	29.21	28.28						

Performance data

50Hz

Z12-4MI-30X-AWM

R404A	Evaporating Temperature °C															
	-40		-35		-30		-25		-20		-15		-10		-5	
Ambient Temperature °C	Q	P	Q	P	Q	P	Q	P	Q	P	Q	P	Q	P	Q	P
27	13.00	10.61	17.51	12.05	22.56	13.45	28.25	14.81	34.62	16.13	41.74	17.41	49.64	18.66	58.35	19.89
32	11.56	10.60	15.91	12.20	20.72	13.77	26.07	15.31	32.04	16.80	38.67	18.25	46.02	19.67	54.11	21.07
38			13.92	12.27	18.42	14.06	23.37	15.81	28.83	17.52	34.88	19.2	41.55	20.83	48.90	22.43
43					16.46	14.19	21.06	16.14	26.10	18.05	31.64	19.91	37.75	21.74	44.47	23.53
46					15.27	14.22	19.66	16.29	24.43	18.32	29.68	20.31	35.44	22.26	41.78	24.17
49					14.07	14.21	18.24	16.41	22.75	18.57	27.69	20.68	33.11	22.75	39.07	24.78

Z12-4MJ-33X-AWM

R404A	Evaporating Temperature °C															
	-40		-35		-30		-25		-20		-15		-10		-5	
Ambient Temperature °C	Q	P	Q	P	Q	P	Q	P	Q	P	Q	P	Q	P	Q	P
27	14.57	11.54	19.32	13.07	24.79	14.64	31.03	16.23	38.09	17.82	46.02	19.39	54.82	20.93	64.50	22.43
32			17.61	13.24	22.73	14.95	28.54	16.69	35.08	18.44	42.41	20.19	50.55	21.92	59.51	23.62
38			15.54	13.37	20.23	15.22	25.51	17.14	31.43	19.08	38.05	21.04	45.38	23.00	53.47	24.93
43					18.15	15.39	22.98	17.43	28.37	19.53	34.39	21.66	41.06	23.80	48.42	25.92
46					16.90	15.45	21.46	17.58	26.53	19.77	32.18	22.00	38.45	24.24	45.38	26.47
49					15.65	15.49	19.93	17.70	24.69	19.98	29.98	22.30	35.85	24.65	42.33	26.99

Z12-4MK-35X-AWM

R404A	Evaporating Temperature °C															
	-40		-35		-30		-25		-20		-15		-10		-5	
Ambient Temperature °C	Q	P	Q	P	Q	P	Q	P	Q	P	Q	P	Q	P	Q	P
27	16.29	12.93	21.46	14.64	27.44	16.45	34.27	18.34	42.01	20.28	50.68	22.24	60.28	24.20	70.81	26.15
32			19.61	14.93	25.19	16.87	31.54	18.90	38.70	20.99	46.70	23.11	55.56	25.24	65.29	27.35
38			17.34	15.20	22.42	17.27	28.16	19.46	34.61	21.71	41.81	24.02	49.78	26.34	58.54	28.65
43					20.08	17.53	25.29	19.83	31.14	22.22	37.66	24.66	44.89	27.13	52.84	29.60
46					18.66	17.65	23.56	20.01	29.03	22.48	35.14	25.00	41.92	27.56	49.39	30.12
49					17.23	17.73	21.81	20.16	26.91	22.70	32.61	25.30	38.93	27.94	45.91	30.59

Z12-6MT-35X-AWM

R404A	Evaporating Temperature °C															
	-40		-35		-30		-25		-20		-15		-10		-5	
Ambient Temperature °C	Q	P	Q	P	Q	P	Q	P	Q	P	Q	P	Q	P	Q	P
27	22.43	16.98	28.82	19.41	36.23	21.97	44.68	24.61	54.19	27.34	64.76	30.14	76.34	33.00	88.90	35.93
32	20.57	17.19	26.49	19.80	33.33	22.55	41.12	25.42	49.89	28.39	59.63	31.45	70.33	34.58	81.95	37.80
38			23.63	20.17	29.78	23.16	36.76	26.3	44.63	29.56	53.38	32.93	63.01	36.39	73.49	39.95
43					26.76	23.60	33.07	26.96	40.17	30.47	48.09	34.10	56.82	37.84		
46					24.94	23.83	30.83	27.33	37.47	30.98	44.88	34.77	53.08	38.68		
49							28.57	27.68	34.75	31.48	41.66	35.43	49.31	39.5		

Performance data

50Hz

Z12-6MI-40X-AWM

R404A	Evaporating Temperature °C															
	-40		-35		-30		-25		-20		-15		-10		-5	
Ambient Temperature °C	Q	P	Q	P	Q	P	Q	P	Q	P	Q	P	Q	P	Q	P
27	19.10	14.98	25.22	17.19	32.24	19.44	40.21	21.73	49.15	24.06	59.08	26.41	69.99	28.79	81.84	31.21
32			23.07	17.52	29.63	19.96	37.04	22.45	45.31	24.98	54.49	27.54	64.56	30.14	75.50	32.76
38			20.44	17.83	26.45	20.51	33.17	23.24	40.64	26.01	48.89	28.83	57.96	31.67	67.81	34.55
43					23.77	20.89	29.90	23.82	36.69	26.81	44.18	29.83	52.4	32.89	61.33	35.98
46					22.15	21.09	27.93	24.15	34.31	27.25	41.33	30.41	49.04	33.59	57.43	36.81
49					20.52	21.27	25.94	24.45	31.91	27.68	38.47	30.96	45.66	34.28	53.51	37.62

Z12-6MU-40X-AWM

R404A	Evaporating Temperature °C															
	-40		-35		-30		-25		-20		-15		-10		-5	
Ambient Temperature °C	Q	P	Q	P	Q	P	Q	P	Q	P	Q	P	Q	P	Q	P
27	24.48	18.82	31.55	21.62	39.69	24.55	48.94	27.62	59.31	30.81	70.75	34.13	83.23	37.57	96.67	41.16
32	22.48	19.12	29.05	22.11	36.58	25.24	45.10	28.52	54.64	31.93	65.18	35.47	76.68	39.14	89.10	42.94
38			26.00	22.50	32.79	25.89	40.46	29.42	49.01	33.10	58.47	36.91	68.81	40.85	80.00	44.92
43					29.60	26.24	36.55	29.99	44.29	33.90	52.86	37.94	62.25	42.11		
46					27.66	26.36	34.18	30.25	41.45	34.29	49.49	38.47	58.30	42.79		
49							31.81	30.44	38.60	34.62	46.10	38.94				

Z12-6MK-50X-AWM

R404A	Evaporating Temperature °C															
	-40		-35		-30		-25		-20		-15		-10		-5	
Ambient Temperature °C	Q	P	Q	P	Q	P	Q	P	Q	P	Q	P	Q	P	Q	P
27	23.37	18.70	30.97	21.58	39.48	24.53	48.94	27.56	59.35	30.70	70.69	33.97	82.91	37.40	95.94	41.01
32			28.14	21.87	36.12	25.05	44.91	28.32	54.54	31.70	65.00	35.20	76.24	38.86	88.21	42.69
38			24.66	21.96	31.98	25.45	39.97	29.02	48.64	32.69	58.02	36.49	68.08	40.43	78.79	44.53
43					28.48	25.56	35.77	29.39	43.64	33.33	52.12	37.38	61.19	41.56	70.85	45.91
46					26.36	25.53	33.23	29.52	40.61	33.61	48.54	37.82	57.02	42.17	66.05	46.66
49							30.68	29.57	37.57	33.83	44.95	38.20				

Performance data

60Hz

V6-4MF-13X-EWK

R404A	Evaporating Temperature °C															
	-40		-35		-30		-25		-20		-15		-10		-5	
Ambient Temperature °C	Q	P	Q	P	Q	P	Q	P	Q	P	Q	P	Q	P	Q	P
27	10.54	8.87	13.71	10.26	17.28	11.74	21.24	13.29	25.55	14.93	30.19	16.66	35.1	18.49	40.23	20.42
32			12.43	10.38	15.72	11.95	19.34	13.61	23.3	15.35	27.54	17.19	32.04	19.13	36.76	21.18
38			10.93	10.47	13.86	12.15	17.09	13.93	20.61	15.8	24.39	17.77	28.4	19.85		
43					12.34	12.28	15.24	14.15	18.39	16.13	21.78	18.21	25.38	20.4		
46					11.44	12.33	14.13	14.27	17.07	16.31	20.22	18.46				
49							13.04	14.37	15.75	16.47						

V6-4ML-15X-EWK

R404A	Evaporating Temperature °C															
	-40		-35		-30		-25		-20		-15		-10		-5	
Ambient Temperature °C	Q	P	Q	P	Q	P	Q	P	Q	P	Q	P	Q	P	Q	P
27	12.73	10.50	16.40	12.20	20.47	14.04	24.90	16.01	29.65	18.10	34.66	20.30	39.89	22.59	45.27	24.98
32			14.99	12.37	18.75	14.29	22.82	16.35	27.18	18.54	31.77	20.84	36.55	23.24		
38					16.67	14.54	20.33	16.70	24.22	19.00	28.30	21.42	32.56	23.95		
43					14.92	14.72	18.24	16.95	21.74	19.34	25.41	21.86				
46							16.98	17.09	20.26	19.52						
49							15.72	17.21								

W9-4MT-22X-EWK

R404A	Evaporating Temperature °C															
	-40		-35		-30		-25		-20		-15		-10		-5	
Ambient Temperature °C	Q	P	Q	P	Q	P	Q	P	Q	P	Q	P	Q	P	Q	P
27	15.85	13.03	20.01	15.17	24.57	17.49	29.46	20.00	34.65	22.68	40.06	25.55	45.62	28.59		
32			18.24	15.37	22.42	17.80	26.89	20.42	31.62	23.21	36.54	26.19	41.60	29.35		
38					19.82	18.07	23.79	20.81	27.97	23.75	32.31	26.86				
43							21.20	21.05	24.92	24.10						
46							19.65	21.15								
49																

W9-4MM-20X-EWK

R404A	Evaporating Temperature °C															
	-40		-35		-30		-25		-20		-15		-10		-5	
Ambient Temperature °C	Q	P	Q	P	Q	P	Q	P	Q	P	Q	P	Q	P	Q	P
27	14.32	11.67	18.28	13.51	22.60	15.50	27.22	17.63	32.09	19.91	37.16	22.36	42.33	24.98	47.57	27.78
32			16.67	13.72	20.64	15.82	24.86	18.07	29.29	20.48	33.88	23.06	38.56	25.82		
38					18.28	16.11	22.02	18.51	25.92	21.08	29.94	23.82	34.03	26.74		
43					16.30	16.27	19.65	18.8	23.11	21.51	26.66	24.39				
46							18.22	18.94	21.43	21.72						
49																

Performance data

60Hz

Z9-4ML-15X-EWK

R404A	Evaporating Temperature °C															
	-40		-35		-30		-25		-20		-15		-10		-5	
Ambient Temperature °C	Q	P	Q	P	Q	P	Q	P	Q	P	Q	P	Q	P	Q	P
27	13.85	11.82	18.12	13.40	23.06	15.04	28.69	16.73	35.03	18.43	42.08	20.11	49.84	21.77	58.29	23.38
32	12.65	11.96	16.64	13.62	21.24	15.38	26.45	17.19	32.32	19.03	38.85	20.87	46.04	22.70	53.88	24.49
38			14.85	13.85	19.03	15.71	23.77	17.66	29.08	19.67	34.98	21.69	41.50	23.72	48.61	25.72
43					17.18	15.95	21.51	18.00	26.37	20.13	31.76	22.30	37.71	24.48	44.22	26.65
46					16.06	16.07	20.15	18.19	24.73	20.39	29.82	22.64	35.44	24.91		
49					14.93	16.18	18.79	18.35	23.10	20.62	27.88	22.95	33.17	25.31		

Z9-4MM-20X-EWK

R404A	Evaporating Temperature °C															
	-40		-35		-30		-25		-20		-15		-10		-5	
Ambient Temperature °C	Q	P	Q	P	Q	P	Q	P	Q	P	Q	P	Q	P	Q	P
27	15.67	12.96	20.33	14.62	25.65	16.33	31.64	18.09	38.3	19.89	45.64	21.74	53.63	23.62	62.25	25.55
32	14.29	13.13	18.65	14.92	23.58	16.77	29.11	18.69	35.26	20.65	42.02	22.67	49.38	24.74	57.32	26.85
38			16.60	15.19	21.06	17.21	26.05	19.32	31.57	21.48	37.64	23.71	44.25	26.00	51.39	28.34
43					18.95	17.50	23.48	19.76	28.48	22.10	33.97	24.50	39.96	26.98	46.42	29.51
46					17.67	17.63	21.93	19.99	26.62	22.43	31.76	24.94	37.37	27.53		
49					16.39	17.72	20.37	20.18	24.75	22.73	29.55	25.36	34.78	28.05		

Z9-4MA-22X-EWK

R404A	Evaporating Temperature °C															
	-40		-35		-30		-25		-20		-15		-10		-5	
Ambient Temperature °C	Q	P	Q	P	Q	P	Q	P	Q	P	Q	P	Q	P	Q	P
27	11.23	10.20	15.25	11.56	19.79	12.91	24.89	14.23	30.61	15.53	36.97	16.80	44.00	18.04	51.70	19.27
32			13.66	11.64	17.95	13.13	22.75	14.61	28.09	16.06	34.01	17.50	40.55	18.91	47.71	20.31
38			11.76	11.62	15.77	13.30	20.19	14.97	25.09	16.63	30.49	18.27	36.45	19.89	42.96	21.50
43					13.95	13.36	18.08	15.19	22.61	17.02	27.58	18.84	33.06	20.65	39.04	22.44
46					12.87	13.35	16.81	15.29	21.13	17.22	25.85	19.15	31.04	21.07	36.71	22.98
49					11.79	13.32	15.56	15.36	19.66	17.40	24.13	19.44	29.03	21.47	34.38	23.50

Z9-4MT-22X-EWK

R404A	Evaporating Temperature °C															
	-40		-35		-30		-25		-20		-15		-10		-5	
Ambient Temperature °C	Q	P	Q	P	Q	P	Q	P	Q	P	Q	P	Q	P	Q	P
27	17.52	14.29	22.53	16.22	28.28	18.24	34.79	20.34	42.08	22.50	50.14	24.71	58.96	26.96	68.50	29.26
32	16.01	14.48	20.67	16.54	26.01	18.70	32.04	20.96	38.79	23.29	46.26	25.67	54.44	28.11	63.29	30.59
38			18.40	16.82	23.24	19.15	28.69	21.59	34.79	24.12	41.54	26.71	48.95	29.36	56.99	32.06
43					20.90	19.43	25.86	22.02	31.42	24.71	37.57	27.47	44.33	30.30		
46					19.49	19.55	24.15	22.23	29.37	25.02	35.16	27.89	41.54	30.82		
49							22.43	22.41	27.32	25.29	32.75	28.26	38.74	31.30		

Performance data

60Hz

Z9-4MH-25X-EWK

R404A	Evaporating Temperature °C															
	-40		-35		-30		-25		-20		-15		-10		-5	
Ambient Temperature °C	Q	P	Q	P	Q	P	Q	P	Q	P	Q	P	Q	P	Q	P
27	12.95	11.62	17.35	13.15	22.41	14.74	28.18	16.36	34.70	18.00	41.98	19.64	50.03	21.29	58.84	22.93
32			15.73	13.24	20.48	14.96	25.87	16.74	31.93	18.55	38.69	20.38	46.16	22.22	54.34	24.07
38			13.75	13.25	18.13	15.14	23.05	17.11	28.56	19.13	34.70	21.19	41.47	23.27	48.88	25.36
43					16.15	15.22	20.68	17.36	25.73	19.55	31.33	21.80	37.52	24.08	44.30	26.39
46					14.96	15.24	19.25	17.47	24.02	19.78	29.30	22.14	35.14	24.55	41.53	26.99
49					13.77	15.24	17.81	17.57	22.30	19.99	27.26	22.47	32.75	25.00	38.76	27.57

Z9-4MU-25X-EWK

R404A	Evaporating Temperature °C															
	-40		-35		-30		-25		-20		-15		-10		-5	
Ambient Temperature °C	Q	P	Q	P	Q	P	Q	P	Q	P	Q	P	Q	P	Q	P
27	18.91	15.69	24.39	17.97	30.68	20.37	37.79	22.86	45.71	25.42	54.43	28.04	63.88	30.72		
32	17.34	15.88	22.42	18.28	28.22	20.81	34.77	23.44	42.05	26.15	50.07	28.92	58.79	31.74		
38			19.98	18.53	25.18	21.20	31.03	23.98	37.55	26.85	44.74	29.79				
43					22.58	21.39	27.85	24.28	33.73	27.28	40.21	30.35				
46					21.01	21.45	25.92	24.40	31.41	27.47	37.47	30.61				
49							23.98	24.47	29.07	27.60						

Z9-4MI-30X-EWK

R404A	Evaporating Temperature °C															
	-40		-35		-30		-25		-20		-15		-10		-5	
Ambient Temperature °C	Q	P	Q	P	Q	P	Q	P	Q	P	Q	P	Q	P	Q	P
27	14.80	12.66	19.89	14.47	25.53	16.27	31.77	18.06	38.65	19.86	46.18	21.67	54.39	23.50	63.24	25.36
32			18.03	14.61	23.37	16.60	29.22	18.60	35.63	20.59	42.61	22.60	50.19	24.62	58.36	26.67
38			15.72	14.63	20.70	16.88	26.08	19.12	31.91	21.37	38.23	23.62	45.06	25.89	52.40	28.18
43					18.44	16.98	23.41	19.45	28.76	21.92	34.51	24.39	40.71	26.88	47.38	29.37
46					17.07	16.98	21.80	19.59	26.85	22.20	32.26	24.82	38.08	27.43	44.33	30.06
49					15.69	16.94	20.18	19.69	24.93	22.45	30.00	25.20	35.44	27.96	41.27	30.72

Z9-6MM-30X-EWK

R404A	Evaporating Temperature °C															
	-40		-35		-30		-25		-20		-15		-10		-5	
Ambient Temperature °C	Q	P	Q	P	Q	P	Q	P	Q	P	Q	P	Q	P	Q	P
27	22.66	18.85	28.94	21.57	36.04	24.41	44.02	27.38	52.86	30.49	62.56	33.77	73.04	37.23	84.24	40.92
32			26.62	22.02	33.17	25.08	40.48	28.27	48.58	31.61	57.45	35.11	67.05	38.80	77.33	42.71
38			23.76	22.35	29.65	25.67	36.18	29.14	43.39	32.75	51.28	36.54	59.84	40.51		
43					26.67	25.96	32.56	29.66	39.04	33.52	46.12	37.55	53.82	41.75		
46					24.86	26.03	30.36	29.88	36.41	33.89	43.02	38.06				
49							28.16	30.02	33.77	34.19						

Performance data

60Hz

Z12-4MI-30X-EWK

R404A	Evaporating Temperature °C															
	-40		-35		-30		-25		-20		-15		-10		-5	
Ambient Temperature °C	Q	P	Q	P	Q	P	Q	P	Q	P	Q	P	Q	P	Q	P
27	15.25	13.34	20.53	15.08	26.45	16.77	33.07	18.43	40.49	20.05	48.75	21.64	57.88	23.20	67.93	24.73
32			18.65	15.25	24.27	17.16	30.51	19.02	37.44	20.85	45.13	22.64	53.62	24.39	62.94	26.13
38			16.31	15.32	21.57	17.49	27.33	19.61	33.67	21.70	40.66	23.75	48.37	25.77	56.81	27.75
43					19.26	17.63	24.61	20.00	30.45	22.32	36.86	24.60	43.90	26.84	51.61	29.05
46					17.86	17.67	22.96	20.17	28.50	22.64	34.55	25.07	41.19	27.45	48.46	29.80
49					16.45	17.65	21.29	20.31	26.52	22.93	32.22	25.5	38.46	28.04	45.28	30.53

Z12-4MJ-33X-EWK

R404A	Evaporating Temperature °C															
	-40		-35		-30		-25		-20		-15		-10		-5	
Ambient Temperature °C	Q	P	Q	P	Q	P	Q	P	Q	P	Q	P	Q	P	Q	P
27	17.09	14.46	22.65	16.30	29.03	18.21	36.29	20.14	44.48	22.09	53.64	24.03	63.77	25.94	74.89	27.82
32			20.63	16.50	26.60	18.56	33.35	20.68	40.94	22.82	49.40	24.97	58.77	27.10	69.03	29.21
38			18.20	16.65	23.67	18.89	29.80	21.20	36.66	23.57	44.28	25.96	52.72	28.36	61.97	30.74
43					21.22	19.07	26.83	21.55	33.06	24.10	39.99	26.69	47.65	29.30	56.06	31.91
46					19.75	19.15	25.04	21.72	30.91	24.37	37.41	27.08	44.60	29.81	52.50	32.55
49					18.28	19.20	23.25	21.86	28.75	24.62	34.83	27.44	41.55	30.29	48.94	33.16

Z12-4MK-35X-EWK

R404A	Evaporating Temperature °C															
	-40		-35		-30		-25		-20		-15		-10		-5	
Ambient Temperature °C	Q	P	Q	P	Q	P	Q	P	Q	P	Q	P	Q	P	Q	P
27	19.10	16.13	25.14	18.20	32.10	20.40	40.04	22.70	49.00	25.07	58.99	27.48	70.01	29.91	82.05	32.32
32			22.96	18.54	29.46	20.89	36.82	23.35	45.09	25.90	54.31	28.49	64.47	31.11	75.57	33.73
38			20.29	18.85	26.20	21.36	32.85	24.00	40.29	26.75	48.56	29.55	57.69	32.39	67.67	35.23
43					23.44	21.66	29.48	24.44	36.21	27.33	43.69	30.30	51.95	33.31	61.00	36.34
46					21.77	21.79	27.44	24.65	33.74	27.63	40.74	30.69	48.48	33.81	56.96	36.93
49					20.10	21.89	25.39	24.82	31.26	27.88	37.77	31.04	44.98	34.25	52.90	37.48

Z12-6MT-35X-EWK

R404A	Evaporating Temperature °C															
	-40		-35		-30		-25		-20		-15		-10		-5	
Ambient Temperature °C	Q	P	Q	P	Q	P	Q	P	Q	P	Q	P	Q	P	Q	P
27	26.26	21.00	33.70	23.95	42.27	27.06	52.02	30.30	62.95	33.66	75.03	37.13	88.21	40.71	102.42	44.41
32	24.07	21.24	30.95	24.41	38.86	27.75	47.84	31.26	57.89	34.90	69.01	38.67	81.16	42.57	94.29	46.59
38			27.59	24.83	34.68	28.47	42.72	32.29	51.71	36.28	61.68	40.42	72.59	44.70	84.39	49.12
43					31.14	28.98	38.38	33.06	46.49	37.34	55.48	41.79	65.35	46.40		
46					29.00	29.25	35.75	33.50	43.32	37.95	51.72	42.58	60.97	47.39		
49							33.10	33.91	40.13	38.54	47.95	43.36				

Performance data

60Hz

Z12-6MI-40X-EWK

R404A	Evaporating Temperature °C															
	-40		-35		-30		-25		-20		-15		-10		-5	
Ambient Temperature °C	Q	P	Q	P	Q	P	Q	P	Q	P	Q	P	Q	P	Q	P
27	22.36	18.59	29.51	21.27	37.66	24.01	46.89	26.81	57.20	29.67	68.60	32.58	81.06	35.54	94.54	38.56
32			26.97	21.66	34.60	24.63	43.16	27.66	52.69	30.76	63.21	33.91	74.69	37.12	87.11	40.39
38			23.89	22.02	30.86	25.27	38.62	28.59	47.20	31.98	56.65	35.42	66.96	38.93	78.12	42.49
43					27.70	25.71	34.78	29.28	42.57	32.91	51.13	36.61	60.45	40.36	70.56	44.17
46					25.80	25.95	32.46	29.65	39.78	33.44	47.79	37.29	56.52	41.19	65.99	45.15
49					23.89	26.16	30.14	30.00	36.97	33.94	44.44	37.94	52.58	42.00		

Z12-6MU-40X-EWK

R404A	Evaporating Temperature °C															
	-40		-35		-30		-25		-20		-15		-10		-5	
Ambient Temperature °C	Q	P	Q	P	Q	P	Q	P	Q	P	Q	P	Q	P	Q	P
27	28.65	23.23	36.85	26.62	46.27	30.20	56.91	33.95	68.78	37.88	81.81	41.98	95.94	46.26	111.08	50.72
32			33.91	27.19	42.61	31.00	52.41	35.00	63.31	39.18	75.30	43.53	88.30	48.07	102.26	52.79
38			30.32	27.63	38.16	31.74	46.95	36.04	56.72	40.52	67.45	45.19	79.12	50.04	91.67	55.07
43					34.41	32.13	42.37	36.69	51.20	41.44	60.9	46.37	71.46	51.49		
46					32.13	32.25	39.60	36.97	47.87	41.88	56.95	46.98	66.86	52.26		
49							36.82	37.17	44.53	42.25	53.01	47.51				

Z12-6MK-50X-EWK

R404A	Evaporating Temperature °C															
	-40		-35		-30		-25		-20		-15		-10		-5	
Ambient Temperature °C	Q	P	Q	P	Q	P	Q	P	Q	P	Q	P	Q	P	Q	P
27	27.29	23.06	36.12	26.55	45.98	30.15	56.87	33.86	68.80	37.72	81.72	41.76	95.55	46.00	110.19	50.50
32			32.79	26.87	42.02	30.74	52.14	34.73	63.15	38.87	75.03	43.18	87.73	47.69	101.15	52.44
38			28.71	26.95	37.16	31.17	46.33	35.51	56.23	40.00	66.86	44.65	78.19	49.49	90.16	54.55
43					33.06	31.27	41.42	35.92	50.37	40.71	59.96	45.66	70.14	50.79	80.90	56.13
46					30.58	31.21	38.45	36.05	46.83	41.03	55.78	46.16	65.28	51.47		
49							35.47	36.09	43.28	41.26	51.59	46.58				

Technical data

Model name	I4MF13V6EAWM	I4MF13V6EEWK	I4ML15V6EAWM	I4ML15V6EEWK	I4MM20W9EAWM	I4MM20W9EEWK	I4MT22W9EAWM	I4MT22W9EEWK	I4ML15Z9EAWM	I4ML15Z9EEWK
Motor code	AWM	EWK	AWM	EWK	AWM	EWK	AWM	EWK	AWM	EWK
Compressor Model	4MF-13X-AWM	4MF-13X-EWK	4ML-15X-AWM	4ML-15X-EWK	4MM-20X-AWM	4MM-20X-EWK	4MT-22X-AWM	4MT-22X-EWK	4ML-15X-AWM	4ML-15X-EWK
Receiver (Li)	18.9	18.9	18.9	18.9	18.9	18.9	18.9	18.9	18.9	18.9
Chassis size LxWxH (mm)	1288x955x815	1288x955x815	1288x955x815	1288x955x815	1599x1136x888	1599x1136x888	1599x1136x888	1599x1136x888	1599x1100x1274	1599x1100x1274
"No. Of Fans/ Fan Motor Power(Each)"	2/570	2/950	2/570	2/950	2/570	2/950	2/570	2/950	4/570	4/950
Air Flow (m3/hr)	6293	6293	6293	6293	7056	7056	7056	7056	11463	11463
Return Gas Line (in)	1 5/8	1 5/8	1 5/8	1 5/8	2 1/8	2 1/8	2 1/8	2 1/8	1 5/8	1 5/8
Liquid Line Size (in)	5/8	5/8	5/8	5/8	5/8	5/8	7/8	7/8	7/8	7/8
Locked Rotor Amperes	105	105	156	154	175	178	175	175	156	154
Rated Load Amperes	22	27.7	25.3	31.9	29.2	35.1	31.8	40.1	25.3	31.9
"Maximum Operating Current (Amperes)"	30.8	30.8	35.4	35.4	39	39	44.5	44.5	35.4	35.4
Net Weight (kg)	375	375	375	375	505	505	505	505	525	525
Oil Type	POE	POE	POE	POE	POE	POE	POE	POE	POE	POE

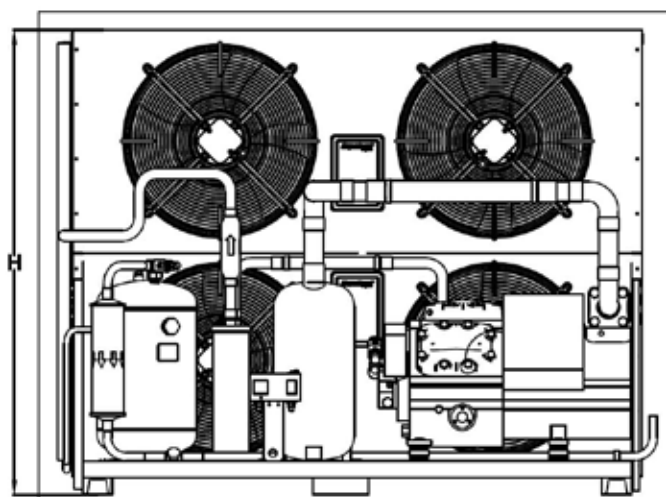
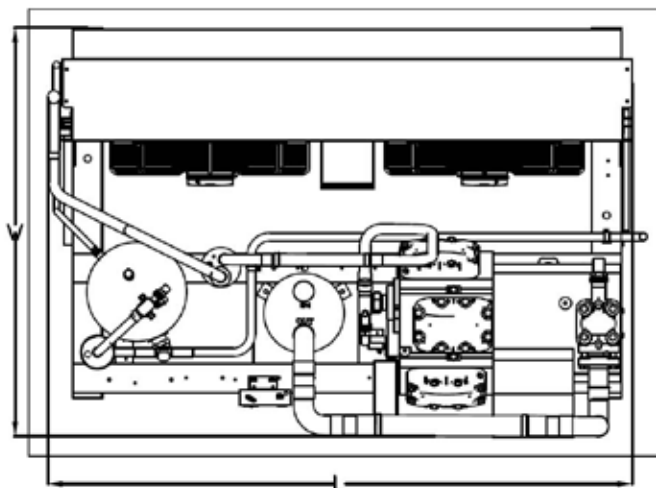
Model name	I4MM20Z9EAWM	I4MM20Z9EEWK	I4MA22Z9EAWM	I4MA22Z9EEWK	I4MT22Z9EAWM	I4MT22Z9EEWK	I4MH25Z9EAWM	I4MH25Z9EEWK	I4MU25Z9EAWM	I4MU25Z9EEWK
Motor code	AWM	EWK	AWM	EWK	AWM	EWK	AWM	EWK	AWM	EWK
Compressor Model	4MM-20X-AWM	4MM-20X-EWK	4MA-22X-AWM	4MA-22X-EWK	4MT-22X-AWM	4MT-22X-EWK	4MH-25X-AWM	4MH-25X-EWK	4MU-25X-AWM	4MU-25X-EWK
Receiver (Li)	18.9	18.9	18.9	18.9	18.9	18.9	18.9	18.9	18.9	18.9
Chassis size LxWxH (mm)	1599x1100x1274	1599x1100x1274	1599x1100x1274	1599x1100x1274	1599x1100x1274	1599x1100x1274	1599x1100x1274	1599x1100x1274	1599x1123x1274	1599x1123x1274
"No. Of Fans/ Fan Motor Power(Each)"	4/570	4/950	4/570	4/950	4/570	4/950	4/570	4/950	4/570	4/950
Air Flow (m3/hr)	11463	11463	11463	11463	11463	11463	11463	11463	11463	11463
Return Gas Line (in)	2 1/8	2 1/8	1 5/8	1 5/8	2 1/8	2 1/8	2 1/8	2 1/8	2 1/8	2 1/8
Liquid Line Size (in)	7/8	7/8	7/8	7/8	7/8	7/8	7/8	7/8	7/8	7/8
Locked Rotor Amperes	175	178	175	178	175	175	199	252	199	252
Rated Load Amperes	29.2	35.1	25.9	32.6	31.8	40.1	29.7	37.4	33.8	46.7
"Maximum Operating Current (Amperes)"	39	39	36.3	36.3	44.5	44.5	41.6	41.6	51.9	51.9
Net Weight (kg)	530	530	530	530	530	530	530	530	540	540
Oil Type	POE	POE	POE	POE	POE	POE	POE	POE	POE	POE

Model name	I4MI30Z9EAWM	I4MI30Z9EEWK	I6MM30Z9EAWM	I6MM30Z9EEWK	I4MI30Z12EAWM	I4MI30Z12EEWK	I4MJ33Z12EAWM	I4MJ33Z12EEWK	I4MK35Z12EAWM	I4MK35Z12EEWK
Motor code	AWM	EWK	AWM	EWK	AWM	EWK	AWM	EWK	AWM	EWK
Compressor Model	4MI-30X-AWM	4MI-30X-EWK	6MM-30X-AWM	6MM-30X-EWK	4MI-30X-AWM	4MI-30X-EWK	4MJ-33X-AWM	4MJ-33X-EWK	4MK-35X-AWM	4MK-35X-EWK
Receiver (Li)	18.9	18.9	23.6	23.6	47.9	47.9	47.9	47.9	47.9	47.9
Chassis size LxWxH (mm)	1599x1100x1274	1599x1100x1274	1599x1123x1274	1599x1123x1274	2001x1113x1409	2001x1113x1409	2001x1113x1409	2001x1113x1409	2001x1105x1409	2001x1105x1409
"No. Of Fans/ Fan Motor Power(Each)"	4/570	4/950	4/570	4/950	4/570	4/950	4/570	4/950	4/570	4/950
Air Flow (m3/hr)	11463	11463	11463	11463	12883	12883	12883	12883	12883	12883
Return Gas Line (in)	2 1/8	2 1/8	2 1/8	2 1/8	2 1/8	2 1/8	2 1/8	2 1/8	2 1/8	2 1/8
Liquid Line Size (in)	7/8	7/8	7/8	7/8	7/8	7/8	7/8	7/8	7/8	7/8
Locked Rotor Amperes	221	268	255	320	221	268	221	268	255	320
Rated Load Amperes	33.3	41.9	42.6	53.7	33.3	41.9	37.8	47.6	43.6	55
"Maximum Operating Current (Amperes)"	46.6	46.6	59.7	59.7	46.6	46.6	52.9	52.9	61.1	61.1
Net Weight (kg)	540	540	550	550	550	550	565	565	565	565
Oil Type	POE	POE	POE	POE	POE	POE	POE	POE	POE	POE

Technical data

Model name	I6MT35Z12EAWM	I6MT35Z12EEWK	I6MI40Z12EAWM	I6MI40Z12EEWK	I6MU40Z12EAWM	I6MU40Z12EEWK	I6MJ45Z12EAWM	I6MJ45Z12EEWK	I6MK50Z12EAWM	I6MK50Z12EEWK
Motor code	AWM	EWK	AWM	EWK	AWM	EWK	AWM	EWK	AWM	EWK
Compressor Model	6MT-35X-AWM	6MT-35X-EWK	6MI-40X-AWM	6MI-40X-EWK	6MU-40X-AWM	6MU-40X-EWK	6MJ-45X-AWM	6MJ-45X-EWK	6MK-50X-AWM	6MK-50X-EWK
Receiver (Li)	47.9	47.9	47.9	47.9	47.9	47.9	47.9	47.9	47.9	47.9
Chassis size LxWxH (mm)	2001x1105x1409	2001x1105x1409	2001x1105x1409	2001x1105x1409	2001x1145x1409	2001x1145x1409	2001x1145x1409	2001x1145x1409	2001x1145x1409	2001x1145x1409
"No. Of Fans/ Fan Motor Power(Each)"	4/570	4/950	4/570	4/950	4/570	4/950	4/570	4/950	4/570	4/950
Air Flow (m3/hr)	12883	12883	12883	12883	12883	12883	12883	12883	12883	12883
Return Gas Line (in)	2 1/8	2 1/8	2 1/8	2 1/8	2 5/8	2 5/8	2 1/8	2 1/8	2 5/8	2 5/8
Liquid Line Size (in)	7/8	7/8	7/8	7/8	7/8	7/8	7/8	7/8	7/8	7/8
Locked Rotor Amperes	255	320	304	367	306	368	304	367	393	482
Rated Load Amperes	48.1	60.6	51	64.3	50.9	68.2	58.2	73.6	66.4	83.6
"Maximum Operating Current (Amperes)"	67.3	67.3	71.4	71.4	75.8	75.8	81.5	81.5	92.9	92.9
Net Weight (kg)	565	565	575	575	575	575	575	575	590	590
Oil Type	POE	POE	POE	POE	POE	POE	POE	POE	POE	POE

Dimensional drawings



Model No.	I4MF13V6EAWM, I4MF13V6EEWK, I4ML15V6EAWM, I4ML15V6EEWK	I4MM20W9EAWM, I4MM20W9EEWK, I4MT22W9EAWM, I4MT22W9EEWK	I4ML15Z9EAWM, I4ML15Z9EEWK, I4MA22Z9EAWM, I4MA22Z9EEWK, I4MM20Z9EAWM, I4MM20Z9EEWK, I4MT22Z9EAWM, I4MT22Z9EEWK, I4MH25Z9EAWM, I4MH25Z9EEWK, I4MI30Z9EAWM, I4MI30Z9EEWK	I4MU25Z9EAWM, I4MU25Z9EEWK, I6MM30Z9EAWM, I6MM30Z9EEWK	I4MI30Z12EAWM, I4MI30Z12EEWK, I4MJ33Z12EAWM, I4MJ33Z12EEWK	I4MK35Z12EAWM, I4MK35Z12EEWK, I6MT35Z12EAWM, I6MT35Z12EEWK, I6MI40Z12EAWM, I6MI40Z12EEWK	I6MU40Z12EAWM, I6MU40Z12EEWK, I6MJ45Z12EAWM, I6MJ45Z12EEWK, I6MK50Z12EAWM, I6MK50Z12EEWK
Chassis size (LxWxH) mm	1288x955x815	1599x1136x888	1599x1100x1274	1599x1123x1274	2001x1113x1409	2001x1105x1409	2001x1145x1409

General information

Technical data are correct at the time of printing. Updates may occur, and should you need confirmation of a specific value, please contact Emerson clearly stating the information required.

Emerson cannot be held responsible for errors in capacities, dimensions, etc., stated herein. Products, specifications and data in this literature are subject to change without notice.

The information given herein is based on data and tests which Emerson believes to be reliable and which are in accordance with today's technical knowledge. It is intended for use by persons having the appropriate technical knowledge and skill, at their own discretion and risk. Our products are designed and adapted for fixed locations. For mobile applications, failures may occur.

The suitability for this has to be assured from the plant manufacturer, which may include making appropriate tests.

Note:

The components listed in this catalogue are not released for use with caustic, poisonous or flammable substances. Emerson cannot be held responsible for any damage caused by using these substances.

About Emerson

Emerson (NYSE: EMR), headquartered in St. Louis, Missouri (USA), is a global technology and engineering company providing innovative solutions for customers in industrial, commercial, and residential markets. Our Emerson Automation Solutions business helps process, hybrid, and discrete manufacturers maximize production, protect personnel and the environment while optimizing their energy and operating costs. Our Emerson Commercial and Residential Solutions business helps ensure human comfort and health, protect food quality and safety, advance energy efficiency, and create sustainable infrastructure. For more information visit [Emerson.com](https://www.emerson.com).

Contact lists

Emerson Commercial & Residential Solutions

Asia Pacific Headquarters

Emerson Climate Technologies
Suite No. 2503-8, 25/F,
Exchange Tower, 33 Wang Chiu Road,
Kowloon Bay, Kowloon, Hong Kong
Tel: (852) 2866 3108
Fax: (852) 2520 6227

Australia

Emerson Climate Technologies Australia
Pty Ltd
356 Chisholm Road
Auburn NSW 2144, Australia
Tel: (612) 9795 2800
Fax: (612) 9738 1699

China - Beijing

Emerson Climate Technologies
(Suzhou) Co. Ltd
Beijing Sales Office
Room 1017 JianWei Building,
66 Nan Lishi Road, XiCheng District,
Beijing, PRC
Tel: (8610) 5763 0488
Fax: (8610) 5763 0499

China - Guangzhou

Emerson Climate Technologies
(Suzhou) Co. Ltd
Guangzhou Sales Office
508-509 R&F Yinglong Plaza,
No. 76 Huangpu Road West,
Guangzhou, PRC
Tel: (8620) 2886 7668
Fax: (8620) 2886 7622

China - Shanghai

Emerson Climate Technologies
(Suzhou) Co. Ltd
Shanghai Sales Office
7F, Emerson Building, 1582 Gumei
Rd, Shanghai, PRC
Tel: (8621) 3338 7333

India - Mumbai

Emerson Climate Technologies (India) Ltd
Delphi B-Wing, 601-602, 6th Floor
Central Avenue, Hiranandani Business Park,
Powai, Mumbai 400076
Tel: (9122) 6786 0793
Fax: (9122) 6662 0500

India - Pune

Emerson Climate Technologies (India) Ltd
Plot No. 23, Rajiv Gandhi Infotech Park,
Phase - II, Hinjewadi,
Pune 411 057, Maharashtra, India
Tel: (9120) 4200 2000
Fax: (9120) 4200 2099

Indonesia

PT Emerson Indonesia
BSD Taman Tekno 8
Jl. Tekno Widya Blok H10 No 2 & 3
Tangerang Selatan 15314
Indonesia
Tel: (6221) 2966 6242
Fax: (6221) 2966 6245

Japan

Emerson Japan Ltd
Shin-yokohama Tosho Building
No. 3-9-5 Shin-Yokohama, Kohoku-ku
Yokohama 222-0033 Japan
Tel: (8145) 475 6371
Fax: (8145) 475 3565

Malaysia

Emerson Electric (Malaysia) Sdn. Bhd.
Level M2, Blk A, Menara PKNS-PJ
Jalan Yong Shook Lin
46050 Petaling Jaya, Selangor, Malaysia
Tel: (603) 7949 9222
Fax: (603) 7949 9333

Middle East & Africa

Emerson Climate Technologies
PO Box 26382
Jebel Ali Free Zone – South
Dubai, UAE
Tel: (9714) 811 8100
Fax: (9714) 886 5465

Philippines

Emerson Climate Technologies
10/F SM Cyber West Avenue, EDSA cor. West
Avenue, Barangay Bungad, Diliman, Quezon
City 1105 Philippines
Tel: (632) 689 7200

Saudi Arabia

Emerson Arabia Inc.
P.O Box 34332 – 3620 Building 7874
Unit 1, 67th street 2nd Industrial City
Dammam, Saudi Arabia
Toll Free: 8008443426
Tel: + 966 3 8147560
Fax: + 966 3 8147570

South Korea

Emerson Electric Korea Ltd.
3F POBA Gangnam Tower
343, Hakdong-ro, Gangnam-gu,
Seoul 135-820, Republic of Korea
Tel: (822) 3483 1500
Fax: (822) 592 7883

Taiwan

Emerson Electric (Taiwan) Co. Ltd
3F No. 122 Lane 235,
Pao Chiau Rd., XinDian Dist.,
New Taipei City 23145, Taiwan (R.O.C.)
Tel: (8862) 8912 1360
Fax: (8862) 8912 1890

Thailand - Bangkok

Emerson Electric (Thailand) Ltd
34th Floor, Interlink Tower,
1858/133, Bangna Trad,
Bangkok 10260, Thailand
Tel: (662) 716 4700
Fax: (662) 751 4241

United Arab Emirates

Emerson Climate Technologies FZE
Jebel Ali Free Zone
PO Box 26382
Dubai UAE
Toll Free: 8004413428
Tel: + 971 4 8118100
Fax: + 971 4 8865465

Vietnam

Emerson Commercial & Residential Solutions
Level 6, Melinh Point Tower, 2 Ngo Due Ke,
District 1, Ho Chi Minh City
Vietnam
Tel: (84) 908 009 189

EmersonClimateAsia.com

Asia 01 R00 01 - R01 Issued 7/2017

Emerson, CoreSense and Copeland Scroll are trademarks of Emerson Electric Co. or one of its affiliated companies. ©2017 Emerson Climate Technologies, Inc. All rights reserved.

EMERSON. CONSIDER IT SOLVED.™