

# Scroll Water-Cooled Condensing Units For Refrigeration Applications



**Copeland Scroll™**

  
**EMERSON**  
Climate Technologies

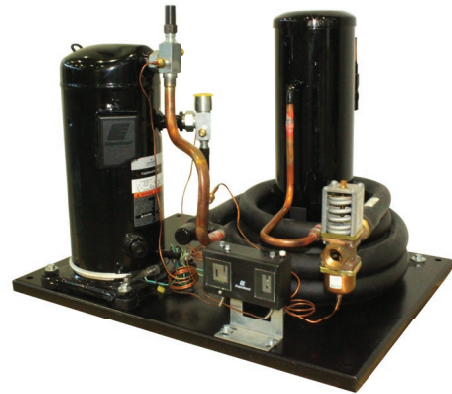
Emerson Climate Technologies is a pioneer in Scroll compressors. Its leading brand Copeland Scroll™ already has over 100 Million units installed worldwide.

Scroll Compressor has lesser moving parts as compared to a reciprocating compressor. This enables Emerson Climate Technologies' Scroll Water Cooled Condensing Unit to offer compact design, high efficiency, low sound levels and increased reliability.



### Unique Features

- High Efficiency Scroll Compressors
- Co-axial Condenser
- Compressor with Oil Sight Glass and Crank Case Heater
- HP/LP Switch
- Water Valve
- Compact Design

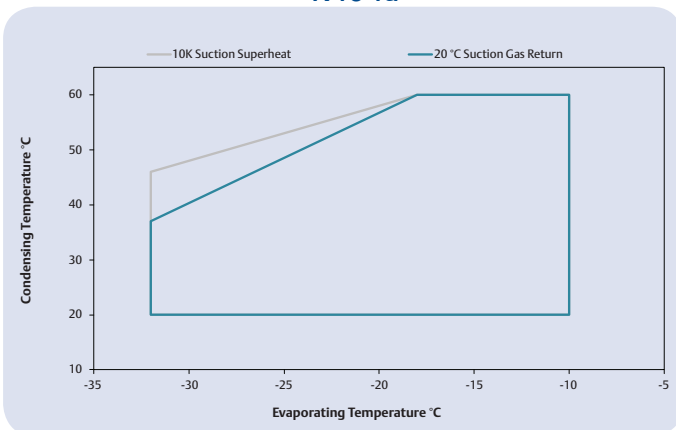


### Nomenclature

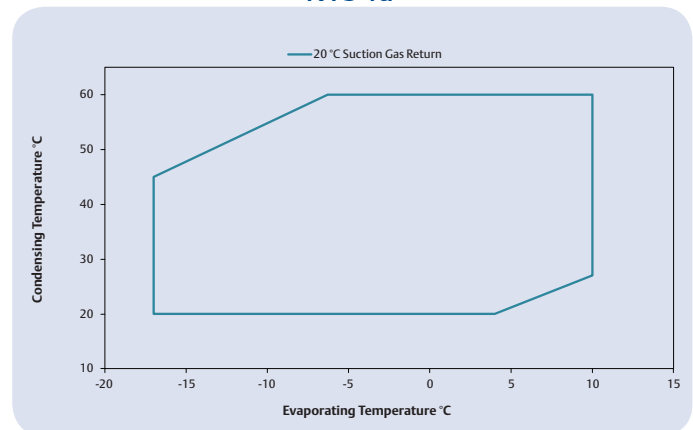
F	P	W	D	-	C	2	0	Z	-	T	F	D	-	X	X	X
F = Line series using Scroll compressor	Refrigerant = R134a / R404a	Water-Cooled - Metal Base	Dual Applications: R134a = High / Medium R404a = Medium/Low		Unit Revision Level	HP Rating		Ester Oil		TFD = 380-420V 3 Ph-50Hz				Bill of Material 020 = With Water Valve		
Base Model										Electrical Code			BOM			

### Operating Envelopes

R404a



R134a



# Capacity (kW)

Unit Model	Condensing Temperature (°C)	R404a				R134a				
		Evaporating Temperature (°C)								
		-30	-25	-20	-15	-15	-10	-5	0	5
FPWD-C13Z-TFD	30	1.13	1.41	1.95	2.37	1.26	1.57	1.93	2.35	2.85
	35	1.07	1.33	1.83	2.23	1.20	1.50	1.84	2.24	2.71
	40	1.00	1.24	1.71	2.09	1.15	1.43	1.76	2.14	2.59
	45	0.93	1.16	1.61	1.96	1.10	1.36	1.67	2.03	2.46
FPWD-C15Z-TFD	30	1.37	1.71	2.33	2.84	1.50	1.87	2.31	2.81	3.40
	35	1.29	1.61	2.19	2.68	1.44	1.79	2.20	2.68	3.24
	40	1.21	1.51	2.05	2.51	1.37	1.71	2.10	2.56	3.09
	45	1.13	1.40	1.93	2.35	1.31	1.62	2.00	2.43	2.94
FPWD-C17Z-TFD	30	1.54	1.93	2.66	3.24	1.71	2.13	2.62	3.19	3.86
	35	1.45	1.81	2.50	3.05	1.63	2.03	2.50	3.05	3.68
	40	1.37	1.69	2.34	2.86	1.56	1.94	2.38	2.90	3.51
	45	1.28	1.58	2.20	2.68	1.49	1.84	2.27	2.76	3.33
FPWD-C20Z-TFD	30	1.85	2.38	2.99	3.69	1.98	2.49	3.09	3.80	4.63
	35	1.66	2.17	2.75	3.41	1.89	2.37	2.95	3.63	4.42
	40	1.45	1.94	2.49	3.12	1.79	2.25	2.81	3.46	4.21
	45	0.98	1.70	2.22	2.80	1.69	2.13	2.66	3.27	3.99
FPWD-C25Z-TFD	30	2.23	2.77	3.41	4.17	2.29	2.87	3.57	4.39	5.34
	35	2.07	2.59	3.19	3.90	2.17	2.74	3.41	4.19	5.10
	40	1.91	2.40	2.96	3.63	2.06	2.60	3.24	3.99	4.86
	45	1.61	2.20	2.73	3.35	1.95	2.46	3.06	3.78	4.61
FPWD-C30Z-TFD	30	2.86	3.57	4.42	5.41	2.88	3.62	4.50	5.53	6.73
	35	2.67	3.35	4.14	5.07	2.74	3.45	4.29	5.28	6.43
	40	2.48	3.11	3.85	4.71	2.60	3.28	4.08	5.03	6.13
	45	1.94	2.86	3.54	4.34	2.46	3.10	3.86	4.76	5.81
FPWD-C35Z-TFD	30	3.37	4.19	5.15	6.28	3.33	4.18	5.20	6.39	7.77
	35	3.14	3.92	4.82	5.88	3.17	3.99	4.96	6.10	7.43
	40	2.90	3.63	4.48	5.46	3.00	3.78	4.72	5.81	7.08
	45	2.26	3.33	4.11	5.03	2.84	3.58	4.46	5.50	6.71
FPWD-C40Z-TFD	30	3.93	4.91	6.07	7.42	3.91	4.91	6.10	7.50	9.13
	35	3.66	4.58	5.66	6.93	3.72	4.68	5.82	7.17	8.72
	40	3.36	4.22	5.23	6.41	3.53	4.44	5.54	6.82	8.31
	45	2.61	3.85	4.79	5.88	3.33	4.20	5.24	6.46	7.88
FPWD-C50Z-TFD	30	4.88	6.09	7.52	9.20	4.81	6.09	7.57	9.31	11.33
	35	4.55	5.69	7.03	8.59	4.57	5.80	7.23	8.88	10.81
	40	4.21	5.27	6.51	7.97	4.34	5.51	6.87	8.46	10.30
	45	3.30	4.83	5.98	7.33	4.10	5.22	6.52	8.02	9.77
FPWD-C60Z-TFD	30	5.73	7.17	8.88	10.86	5.84	7.33	9.12	11.21	13.61
	35	5.34	6.69	8.28	10.13	5.54	6.97	8.70	10.72	13.03
	40	4.95	6.20	7.67	9.39	5.23	6.60	8.26	10.20	12.42
	45	3.89	5.70	7.06	8.64	4.92	6.22	7.80	9.65	11.77
FPWD-C65Z-TFD	30	6.58	8.24	10.18	12.44	6.75	8.37	10.28	12.51	15.09
	35	6.15	7.72	9.55	11.67	6.47	8.02	9.85	11.97	14.41
	40	5.68	7.16	8.88	10.86	6.17	7.66	9.40	11.41	13.72
	45	4.51	6.57	8.17	10.00	5.86	7.29	8.94	10.84	13.02
FPWD-C75Z-TFD	30	7.58	9.37	11.48	13.95	7.30	9.18	11.41	14.03	17.07
	35	7.07	8.79	10.79	13.14	6.95	8.75	10.89	13.40	16.32
	40	6.59	8.22	10.11	12.30	6.59	8.31	10.35	12.75	15.54
	45	5.33	7.65	9.41	11.44	6.22	7.85	9.80	12.08	14.73

Notes: 1. Operating Condition 20°C Suction Gas Return Temperature and 3k Sub Cooling  
 2. 10k Suction Superheat

# Power Input (kW)

Unit Model	Condensing Temperature (°C)	R404a				R134a				
		Evaporating Temperature (°C)								
		-15	-10	-5	0	5	-10	-5	0	5
FPWD-C13Z-TFD	30	0.68	0.71	0.80	0.81	0.48	0.49	0.51	0.51	0.51
	35	0.74	0.78	0.87	0.89	0.52	0.54	0.56	0.57	0.57
	40	0.81	0.86	0.95	0.98	0.56	0.59	0.61	0.63	0.64
	45	0.90	0.96	1.04	1.08	0.62	0.65	0.67	0.69	0.71
FPWD-C15Z-TFD	30	0.81	0.85	0.91	0.94	0.57	0.59	0.60	0.61	0.61
	35	0.88	0.93	0.99	1.03	0.62	0.64	0.66	0.67	0.68
	40	0.97	1.03	1.08	1.12	0.67	0.70	0.73	0.75	0.76
	45	1.08	1.15	1.19	1.23	0.74	0.77	0.80	0.82	0.84
FPWD-C17Z-TFD	30	0.93	0.98	1.07	1.10	0.66	0.68	0.70	0.70	0.70
	35	1.01	1.07	1.17	1.20	0.71	0.74	0.76	0.78	0.79
	40	1.11	1.18	1.27	1.32	0.78	0.81	0.84	0.86	0.88
	45	1.23	1.29	1.39	1.44	0.85	0.89	0.92	0.95	0.98
FPWD-C20Z-TFD	30	1.25	1.27	1.27	1.25	0.75	0.76	0.76	0.77	0.78
	35	1.45	1.46	1.45	1.42	0.84	0.84	0.85	0.86	0.86
	40	1.70	1.69	1.67	1.63	0.93	0.94	0.94	0.95	0.96
	45	2.01	1.98	1.93	1.88	1.03	1.04	1.05	1.06	1.07
FPWD-C25Z-TFD	30	1.48	1.49	1.49	1.48	0.86	0.86	0.87	0.88	0.89
	35	1.67	1.67	1.67	1.67	0.96	0.96	0.97	0.98	0.99
	40	1.88	1.88	1.88	1.87	1.06	1.07	1.08	1.09	1.10
	45	2.12	2.12	2.11	2.11	1.18	1.19	1.20	1.21	1.22
FPWD-C30Z-TFD	30	1.76	1.77	1.77	1.77	1.06	1.07	1.07	1.08	1.09
	35	1.98	1.99	1.99	1.99	1.18	1.19	1.19	1.20	1.21
	40	2.22	2.24	2.24	2.24	1.31	1.32	1.33	1.34	1.35
	45	2.50	2.52	2.52	2.52	1.45	1.47	1.48	1.49	1.50
FPWD-C35Z-TFD	30	2.08	2.08	2.08	2.08	1.21	1.21	1.22	1.23	1.25
	35	2.34	2.34	2.34	2.34	1.34	1.35	1.36	1.37	1.38
	40	2.64	2.64	2.63	2.63	1.49	1.50	1.51	1.53	1.54
	45	2.96	2.96	2.96	2.95	1.66	1.67	1.68	1.70	1.71
FPWD-C40Z-TFD	30	2.39	2.39	2.38	2.37	1.40	1.41	1.41	1.43	1.44
	35	2.68	2.68	2.68	2.66	1.56	1.56	1.58	1.59	1.60
	40	3.02	3.02	3.01	3.00	1.73	1.74	1.75	1.77	1.78
	45	3.39	3.39	3.39	3.37	1.92	1.93	1.95	1.96	1.98
FPWD-C50Z-TFD	30	2.98	2.99	3.00	3.00	1.71	1.73	1.75	1.76	1.78
	35	3.34	3.35	3.36	3.36	1.90	1.93	1.95	1.96	1.98
	40	3.73	3.75	3.76	3.76	2.11	2.14	2.16	2.18	2.20
	45	4.16	4.18	4.19	4.20	2.35	2.38	2.40	2.42	2.45
FPWD-C60Z-TFD	30	3.42	3.44	3.43	3.42	1.96	1.98	2.00	2.01	2.02
	35	3.83	3.85	3.86	3.85	2.19	2.21	2.23	2.25	2.26
	40	4.28	4.30	4.31	4.31	2.44	2.47	2.49	2.51	2.53
	45	4.76	4.79	4.81	4.82	2.73	2.75	2.77	2.80	2.82
FPWD-C65Z-TFD	30	3.87	3.88	3.89	3.89	2.28	2.29	2.30	2.31	2.33
	35	4.35	4.36	4.37	4.37	2.54	2.56	2.57	2.59	2.61
	40	4.89	4.91	4.92	4.92	2.84	2.86	2.87	2.89	2.91
	45	5.50	5.53	5.53	5.53	3.17	3.19	3.21	3.22	3.25
FPWD-C75Z-TFD	30	3.75	3.95	4.15	4.33	2.77	2.78	2.80	2.82	2.85
	35	4.08	4.30	4.52	4.72	3.08	3.10	3.12	3.14	3.17
	40	4.44	4.69	4.93	5.16	3.42	3.44	3.47	3.49	3.52
	45	4.85	5.12	5.38	5.63	3.79	3.83	3.86	3.89	3.91

# Water Flow Rate (l/s)

Unit Model	Condensing Temperature (°C)	R404a				R134a				
		Evaporating Temperature (°C)								
		-30	-25	-20	-15	-15	-10	-5	0	5
FPWD-C13Z-TFD	30	0.07	0.08	0.10	0.12	0.07	0.08	0.10	0.12	0.14
	35	0.07	0.08	0.10	0.11	0.07	0.08	0.10	0.12	0.14
	40	0.07	0.08	0.10	0.11	0.07	0.08	0.10	0.11	0.14
	45	0.06	0.08	0.10	0.11	0.06	0.08	0.09	0.11	0.13
FPWD-C15Z-TFD	30	0.08	0.10	0.12	0.14	0.08	0.10	0.12	0.14	0.17
	35	0.08	0.09	0.12	0.14	0.08	0.10	0.11	0.14	0.16
	40	0.08	0.09	0.11	0.13	0.08	0.09	0.11	0.14	0.16
	45	0.08	0.09	0.11	0.13	0.08	0.09	0.11	0.13	0.15
FPWD-C17Z-TFD	30	0.09	0.11	0.14	0.16	0.09	0.11	0.13	0.16	0.19
	35	0.09	0.11	0.14	0.16	0.09	0.11	0.13	0.16	0.19
	40	0.09	0.11	0.13	0.15	0.09	0.11	0.13	0.15	0.18
	45	0.09	0.10	0.13	0.15	0.09	0.11	0.13	0.15	0.18
FPWD-C20Z-TFD	30	0.11	0.14	0.17	0.20	0.11	0.13	0.16	0.19	0.22
	35	0.11	0.13	0.17	0.19	0.10	0.12	0.15	0.18	0.22
	40	0.11	0.13	0.16	0.18	0.10	0.12	0.15	0.18	0.21
	45	0.10	0.13	0.16	0.18	0.10	0.12	0.15	0.18	0.21
FPWD-C25Z-TFD	30	0.14	0.17	0.21	0.23	0.12	0.15	0.18	0.22	0.26
	35	0.14	0.17	0.20	0.23	0.12	0.14	0.18	0.21	0.25
	40	0.13	0.17	0.20	0.22	0.12	0.14	0.17	0.21	0.24
	45	0.13	0.16	0.19	0.21	0.11	0.14	0.17	0.20	0.24
FPWD-C30Z-TFD	30	0.17	0.20	0.25	0.28	0.15	0.19	0.22	0.27	0.32
	35	0.17	0.20	0.24	0.27	0.15	0.18	0.22	0.26	0.32
	40	0.16	0.20	0.24	0.26	0.15	0.18	0.21	0.26	0.31
	45	0.16	0.19	0.23	0.26	0.15	0.17	0.21	0.25	0.30
FPWD-C35Z-TFD	30	0.19	0.24	0.29	0.33	0.18	0.21	0.26	0.31	0.37
	35	0.19	0.24	0.28	0.32	0.17	0.21	0.25	0.30	0.37
	40	0.19	0.23	0.27	0.31	0.17	0.20	0.25	0.30	0.35
	45	0.19	0.23	0.27	0.30	0.16	0.20	0.24	0.29	0.35
FPWD-C40Z-TFD	30	0.23	0.28	0.33	0.38	0.20	0.25	0.30	0.37	0.44
	35	0.23	0.27	0.33	0.37	0.20	0.25	0.30	0.36	0.43
	40	0.22	0.27	0.32	0.37	0.20	0.24	0.29	0.35	0.42
	45	0.22	0.26	0.31	0.35	0.20	0.23	0.28	0.34	0.41
FPWD-C50Z-TFD	30	0.28	0.35	0.42	0.48	0.25	0.31	0.38	0.45	0.54
	35	0.28	0.34	0.41	0.47	0.25	0.30	0.37	0.44	0.53
	40	0.28	0.33	0.40	0.45	0.25	0.30	0.36	0.43	0.51
	45	0.27	0.33	0.39	0.44	0.24	0.29	0.35	0.42	0.50
FPWD-C60Z-TFD	30	0.33	0.40	0.49	0.56	0.30	0.37	0.45	0.54	0.65
	35	0.32	0.39	0.48	0.54	0.30	0.36	0.44	0.53	0.63
	40	0.32	0.39	0.46	0.53	0.29	0.35	0.43	0.51	0.62
	45	0.32	0.38	0.45	0.51	0.28	0.35	0.42	0.50	0.60
FPWD-C65Z-TFD	30	0.38	0.46	0.56	0.64	0.35	0.42	0.51	0.61	0.72
	35	0.38	0.46	0.55	0.62	0.35	0.42	0.50	0.59	0.71
	40	0.37	0.45	0.54	0.61	0.34	0.41	0.49	0.58	0.69
	45	0.37	0.44	0.52	0.59	0.33	0.40	0.48	0.57	0.67
FPWD-C75Z-TFD	30	0.42	0.52	0.63	0.72	0.38	0.47	0.57	0.69	0.82
	35	0.41	0.50	0.61	0.69	0.38	0.46	0.56	0.67	0.81
	40	0.39	0.48	0.59	0.68	0.37	0.45	0.55	0.66	0.78
	45	0.39	0.47	0.57	0.65	0.37	0.45	0.54	0.64	0.77



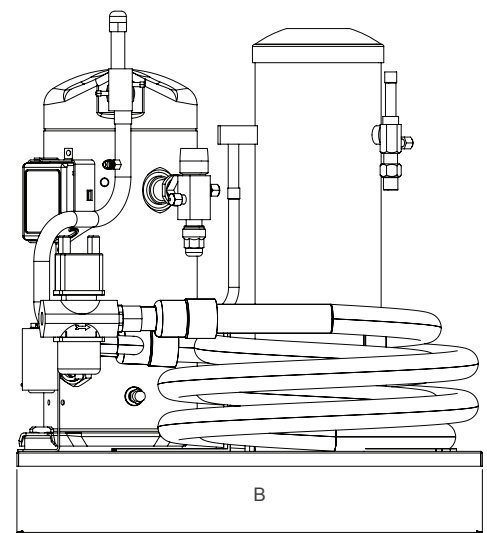
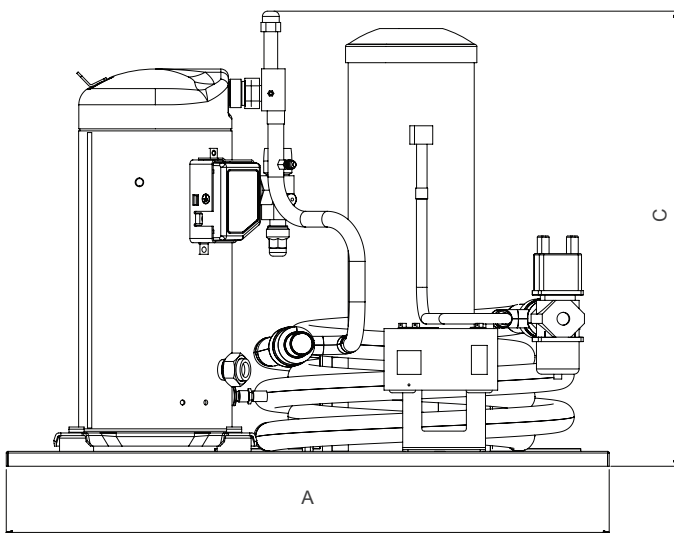
# Pressure Drop (kPa)

Unit Model	Condensing Temperature (°C)	R404a				R134a				
		Evaporating Temperature (°C)								
		-30	-25	-20	-15	-15	-10	-5	0	5
FPWD-C13Z-TFD	30	2.76	3.86	5.24	6.21	2.76	4.00	4.55	6.48	7.86
	35	2.76	3.45	5.24	6.21	2.76	3.45	4.55	6.07	7.86
	40	2.76	3.45	4.55	5.52	2.76	3.45	4.55	5.79	7.72
	45	2.76	3.45	4.55	5.52	2.76	3.45	4.55	5.79	7.17
FPWD-C15Z-TFD	30	3.45	4.41	6.34	8.27	3.45	4.69	6.34	8.14	10.62
	35	3.45	4.41	5.79	7.58	3.45	4.69	5.93	8.14	10.07
	40	3.45	4.41	5.65	7.58	3.45	4.69	5.93	7.86	9.93
	45	3.45	4.41	5.65	7.58	3.45	4.69	5.93	7.45	9.93
FPWD-C17Z-TFD	30	4.14	5.93	8.41	10.34	4.14	5.93	7.72	10.20	12.82
	35	3.86	5.24	7.72	9.65	4.14	5.38	7.31	9.51	12.69
	40	3.86	5.24	7.72	9.65	4.14	5.38	7.31	9.51	12.13
	45	3.86	5.24	7.31	8.96	4.14	5.38	7.03	8.83	12.00
FPWD-C20Z-TFD	30	5.93	8.00	10.89	13.10	5.52	7.31	9.79	12.55	17.10
	35	5.65	7.72	10.48	13.10	4.83	6.76	9.10	12.55	16.41
	40	5.24	7.31	9.79	12.41	4.83	6.76	9.10	11.86	15.72
	45	5.24	7.31	9.79	11.72	4.83	6.62	8.41	11.58	15.03
FPWD-C25Z-TFD	30	8.00	11.17	15.03	18.62	6.21	8.69	11.86	16.27	21.37
	35	8.00	10.48	14.34	17.24	6.21	8.69	11.58	15.58	20.68
	40	7.72	10.48	13.65	16.55	6.21	8.14	11.17	14.89	19.86
	45	7.72	10.48	13.24	15.86	6.21	8.00	10.89	14.20	19.17
FPWD-C30Z-TFD	30	10.89	14.75	19.99	24.82	8.96	12.69	16.82	23.03	30.75
	35	10.48	14.34	19.31	23.44	8.96	12.00	16.82	22.34	29.92
	40	10.48	13.65	18.48	22.75	8.96	12.00	16.13	21.37	28.54
	45	10.48	13.65	17.79	21.37	8.27	11.45	15.44	20.68	27.17
FPWD-C35Z-TFD	30	13.65	18.89	25.92	31.72	11.72	16.00	21.37	29.10	39.16
	35	13.65	18.20	24.82	30.34	11.03	15.31	20.68	28.13	37.78
	40	12.96	17.79	24.13	28.96	11.03	14.75	19.99	26.75	35.71
	45	12.96	17.51	23.03	27.58	10.34	14.07	19.31	25.79	34.20
FPWD-C40Z-TFD	30	17.51	24.13	32.96	40.68	14.48	19.99	27.72	37.65	50.75
	35	17.10	23.44	31.85	39.30	14.48	19.44	26.61	36.27	48.54
	40	16.82	22.75	30.47	37.23	13.79	18.75	25.92	34.89	46.47
	45	16.41	22.06	29.37	35.85	13.79	18.62	24.82	33.23	44.82
FPWD-C50Z-TFD	30	13.51	15.31	18.48	21.37	13.10	14.20	16.41	19.72	25.65
	35	13.51	15.31	18.06	20.68	12.41	14.20	16.00	19.44	24.27
	40	13.51	14.89	17.37	19.99	12.41	13.65	16.00	18.75	23.44
	45	13.51	14.89	17.37	19.31	12.41	13.65	15.31	18.48	22.75
FPWD-C60Z-TFD	30	14.89	17.37	22.34	26.89	13.79	16.27	19.86	25.51	34.34
	35	14.62	17.37	21.24	25.51	13.79	15.58	19.17	24.41	32.82
	40	14.62	16.69	20.55	24.13	13.79	15.58	18.48	23.44	31.44
	45	14.20	16.69	19.86	23.44	13.79	15.03	18.48	22.75	29.92
FPWD-C65Z-TFD	30	9.10	12.27	17.51	21.37	7.58	10.62	14.34	19.31	25.65
	35	8.41	12.27	16.41	20.68	7.58	10.62	14.07	18.62	24.82
	40	8.41	11.58	15.72	19.31	7.58	10.07	13.65	18.34	23.58
	45	8.41	11.17	15.03	18.62	6.89	9.93	12.96	17.65	22.75
FPWD-C75Z-TFD	30	10.48	14.75	20.68	25.51	8.96	12.69	17.51	23.72	31.99
	35	9.79	14.07	19.58	24.13	8.96	12.69	16.82	23.03	30.61
	40	9.51	13.65	18.89	22.75	8.96	12.00	16.41	22.06	29.23
	45	9.10	12.96	17.51	22.06	8.27	12.00	16.13	21.37	28.41

## Electrical Data

Unit Model	Compressor	Maximum Operating Current	Locked Rotor Amperage	T1-T2	T1-T3	T2-T3
		( A )	( A )	( Ω )	( Ω )	( Ω )
FPWD-C13Z-TFD	ZS09KAE-TFD	3.00	27.0	8.60	7.30	8.60
FPWD-C15Z-TFD	ZS11KAE-TFD	3.30	27.0	8.60	7.30	8.60
FPWD-C17Z-TFD	ZS13KAE-TFD	4.00	29.0	8.14	6.46	8.14
FPWD-C20Z-TFD	ZB15KCE-TFD	4.90	26.0	7.10		
FPWD-C25Z-TFD	ZB19KCE-TFD	6.50	32.0	5.94		
FPWD-C30Z-TFD	ZB21KCE-TFD	7.20	40.0	4.83		
FPWD-C35Z-TFD	ZB26KCE-TFD	8.85	46.0	4.03		
FPWD-C40Z-TFD	ZB30KCE-TFD	10.30	49.3	3.58		
FPWD-C50Z-TFD	ZB38KCE-TFD	12.80	65.5	2.72		
FPWD-C60Z-TFD	ZB45KCE-TFD	13.10	74.0	2.27		
FPWD-C65Z-TFD	ZB48KCE-TFD	14.00	101.0	1.79		
FPWD-C75Z-TFD	ZB57KCE-TFD	15.90	102.0	1.74		

## Dimensional Drawings



## Mechanical Data

Unit Model	Compressor	Receiver Volume R404a / R134a	Oil Charge	Width ( A )	Depth ( B )	Height ( C )	Gross Weight	Suction Line Dia ( SL )	Liquid Line Dia ( LL )	Water Inlet	Water Outlet
		( kg )	( l )	( mm )	( mm )	( mm )	( kg )	Ø ( " )	Ø ( " )	Ø ( " ) FPT	Ø ( " ) ODF
FPWD-C13Z-TFD	ZS09KAE-TFD	4.7 / 5.5	0.74	610	408	468	35	5/8"	3/8"	3/8"	5/8"
FPWD-C15Z-TFD	ZS11KAE-TFD	4.7 / 5.5	0.74	610	408	468	35	5/8"	3/8"	3/8"	5/8"
FPWD-C17Z-TFD	ZS13KAE-TFD	4.7 / 5.5	0.74	610	408	468	35	5/8"	3/8"	3/8"	5/8"
FPWD-C20Z-TFD	ZB15KCE-TFD	4.7 / 5.5	1.30	610	408	443	33	7/8"	3/8"	3/8"	5/8"
FPWD-C25Z-TFD	ZB19KCE-TFD	4.7 / 5.5	1.45	610	408	443	35	7/8"	3/8"	3/8"	5/8"
FPWD-C30Z-TFD	ZB21KCE-TFD	4.7 / 5.5	1.45	610	408	470	36	7/8"	3/8"	3/8"	5/8"
FPWD-C35Z-TFD	ZB26KCE-TFD	4.7 / 5.5	1.45	610	408	486	37	7/8"	3/8"	3/8"	5/8"
FPWD-C40Z-TFD	ZB30KCE-TFD	4.7 / 5.5	1.89	610	408	507	47	7/8"	3/8"	3/8"	5/8"
FPWD-C50Z-TFD	ZB38KCE-TFD	7.5 / 8.7	1.89	635	533	513	77	7/8"	1/2"	3/4"	7/8"
FPWD-C60Z-TFD	ZB45KCE-TFD	7.5 / 8.7	1.89	635	533	565	79	7/8"	1/2"	3/4"	7/8"
FPWD-C65Z-TFD	ZB48KCE-TFD	7.5 / 8.7	1.77	732	566	558	80	1 1/8"	1/2"	3/4"	1 1/8"
FPWD-C75Z-TFD	ZB57KCE-TFD	7.5 / 8.7	1.89	732	566	558	80	1 1/8"	1/2"	3/4"	1 1/8"

\*Maximum Water Pressure 10bar

## Contact List

### United Arab Emirates

Emerson Climate Technologies FZE  
Jebel Ali Free Zone  
PO Box 26382  
Dubai UAE  
Toll Free: 8004413428  
Tel: + 971 4 8118100  
Fax: + 971 4 8865465

### Saudi Arabia

Emerson Arabia Inc.  
7th Floor, Mazen Al-Saeed Business  
Tower, PO Box 3911, Al-khobar 31952  
Kingdom of Saudi Arabia  
Toll Free: 8008443426  
Tel: + 966 3 8147560  
Fax: + 966 3 8147570

### South Africa

Emerson Climate Technologies  
11 Quark Crescent,  
Linbro Business Park, Sandton, 2065  
South Africa  
Toll Free: 800980371  
Tel: +27 11 284 9600  
Fax: +27 11 608 0177

[EmersonClimateMEA.com](http://EmersonClimateMEA.com) | [EmersonClimateArabic.com](http://EmersonClimateArabic.com)

Emerson, Copeland Scroll and CoreSense are trademarks of Emerson Electric Co. or one of its affiliated companies. ©2015 Emerson Climate Technologies, Inc. All rights reserved.

EMERSON. CONSIDER IT SOLVED.™