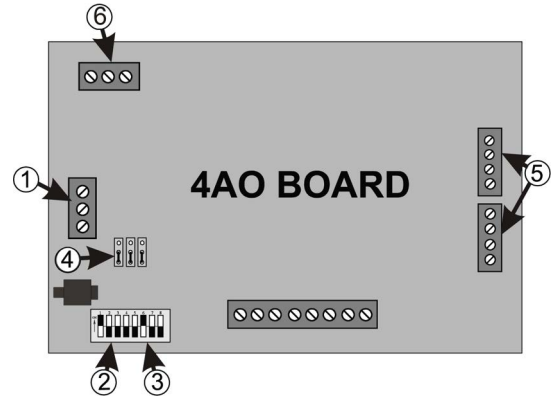


4AO (Analog Output) Board

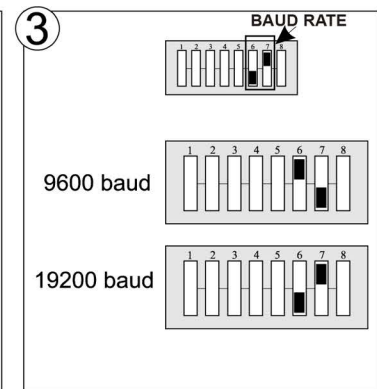
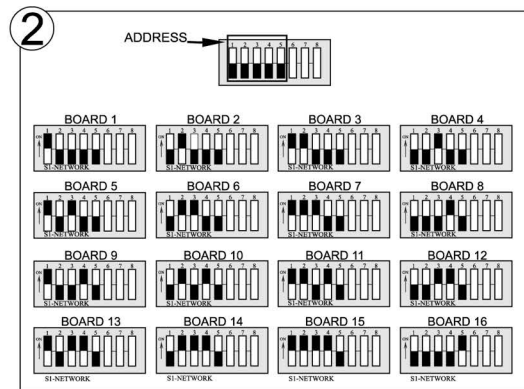
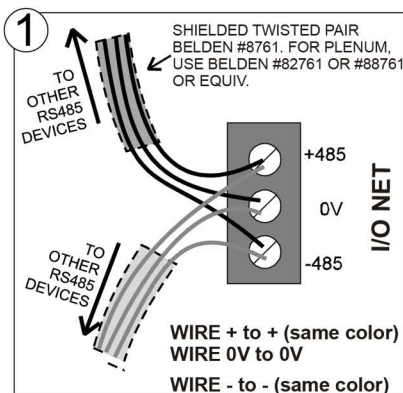
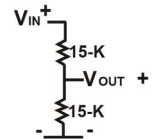
1. Connect the 4AO board to the RS485 I/O Network.
2. Set the network address on the first five rockers of dip switch S1.
3. Set the network baud rate using rockers 6 and 7 of dip switch S1.
4. Set RS485 termination jumpers UP (terminated) if at either end of a daisy chain. Otherwise, set jumpers DOWN (not terminated).
5. Optionally, connect the 4-20mA outputs in either a 2-wire or 4-wire hookup as illustrated in Step 5, or if a 4-20mA is not used, it may be left unconnected.
6. Connect board to the 24VAC secondary of the power transformer

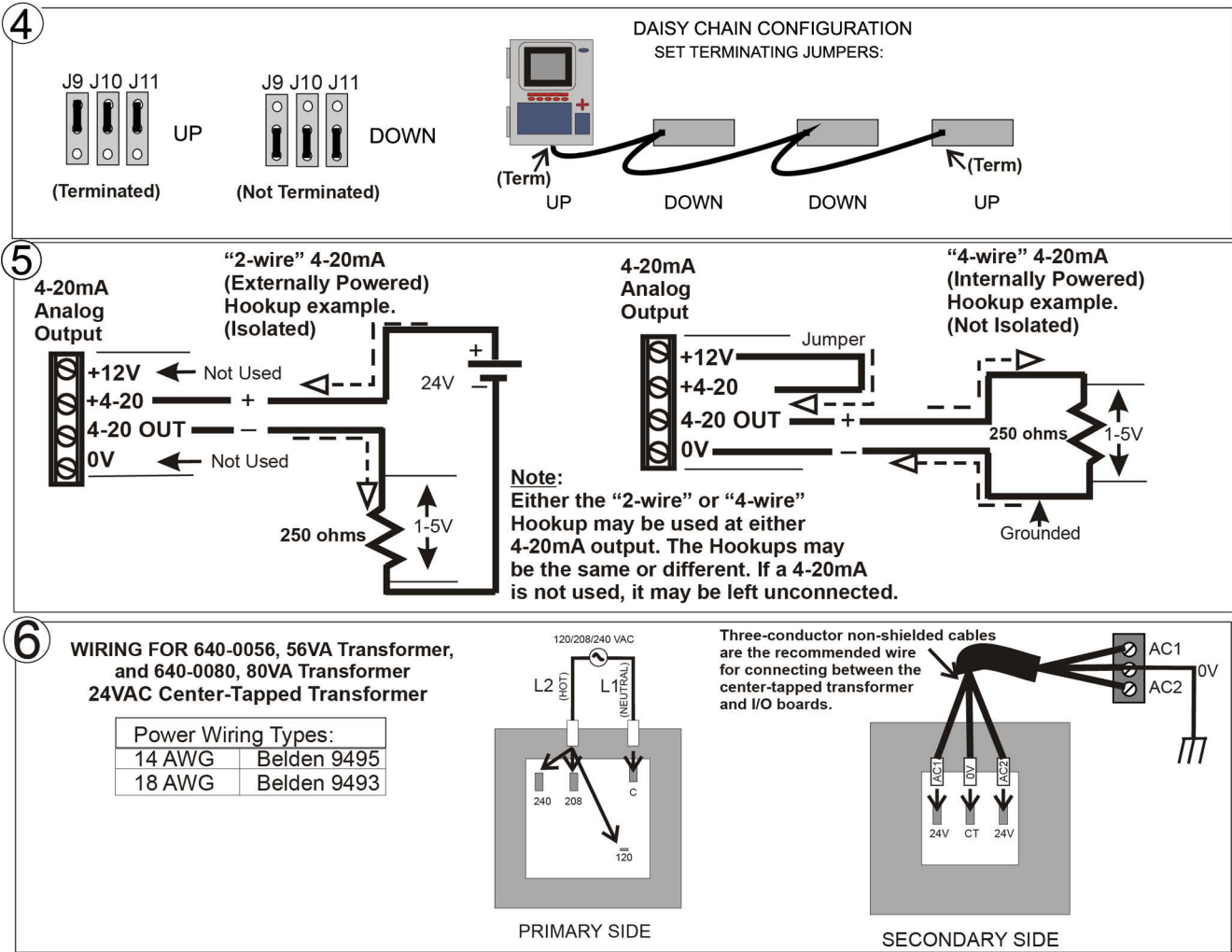


CAUTION

If you change any dip switch settings while the board is powered, disconnect the power and re-power the board to reset.

NOTE: The voltage divide function capability on the previous model (P/N 810-3030) 4AO board is no longer supported. This can now be accomplished by using two external 15-K resistors. If used with E2, scale output range





NOTE: This sheet is intended for use as a quick reference only. All installation technicians should read the *E2 Installation and Operation Manual (P/N 026-1610)* for complete control system information.

Visit our website at copeland.com/en-us/products/controls-monitoring-systems for the latest technical documentation and updates.
For Technical Support call 833-409-7505 or email ColdChain.TechnicalServices@Copeland.com