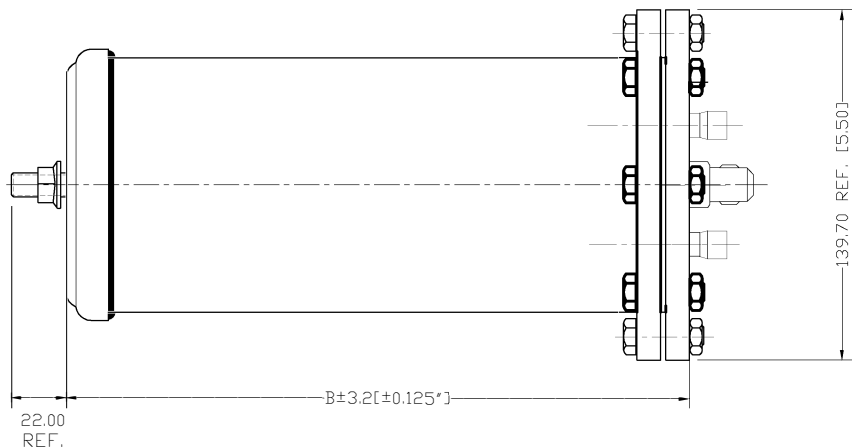
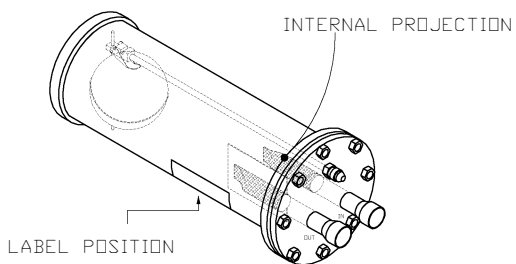
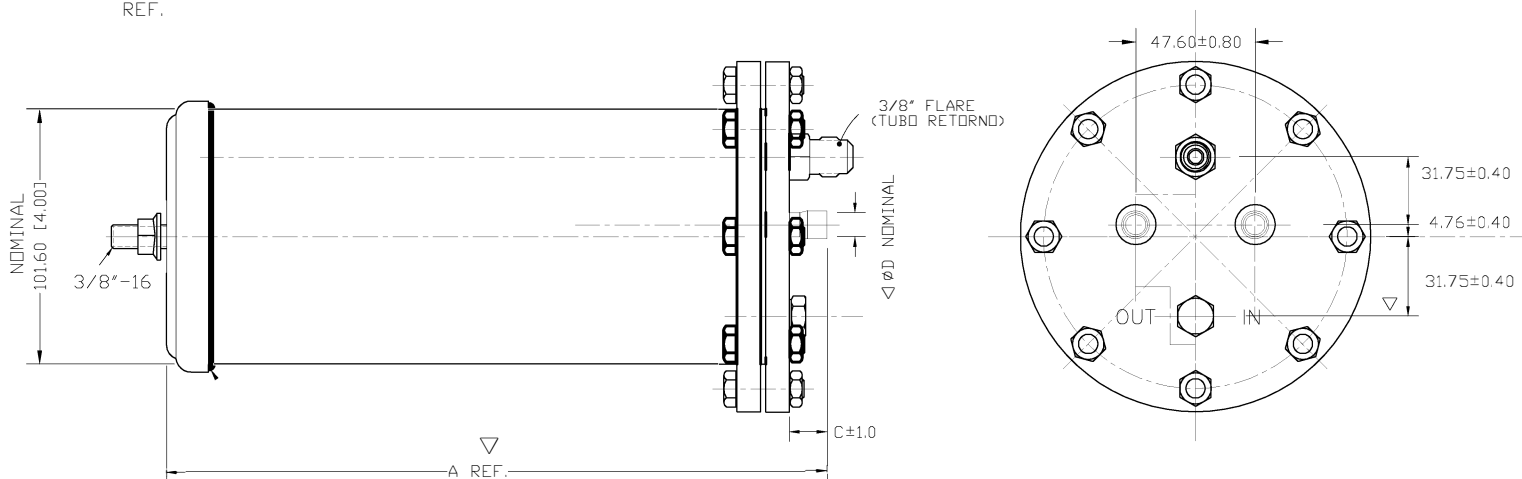


MODEL	A	B	C	D
A-F58824	266.70 [10 1/2"]	237.4 [9.34]	28.5[1.12]	1/2 O.D.S.
A-F58855	381.00 [15.000"]	339.0 [13.34]	42.0[1.65]	5/8 O.D.S.
A-F58877	457.20 [18.000"]	415.2 [16.34]	40.4[1.60]	7/8 O.D.S.
A-F58889	539.80 [21 1/4"]	491.5 [19.35]	48.3[1.90]	1 1/8 O.D.S.
A-F589011	542.9 [21 3/8"]	491.5 [19.35]	51.5[2.03]	1 3/8 O.D.S.
A-F589213	552.5 [21 3/4"]	491.5 [19.35]	60.6[2.38]	1 5/8 O.D.S.



Note:  
 17.0 oz INITIAL OIL CHARGE



CHARACTERISTIC ACCORDING TO SEP 200-7:	MATERIAL: FINISH:	MATERIAL CODE: ADDITIONAL REQUIREMENT:										LINE: 0511E	
<input checked="" type="checkbox"/> CRITICAL <input type="checkbox"/> MAJOR	TOLERANCES NOT INDICATED	BEFORE	U	WITHOUT	K	L	M	N	P	R	S	REF. PROJECT: XXXXX	
COPY TO: <input checked="" type="checkbox"/>	FRACTIONS ±0.0	ACTUAL	WITH									PRODUCT FAM: FAMSEP	
WELDING DEP.	DECIMALS ±0.2	REV. BY	RICARDO G.										
TOOLING DEP.	ANGLES ±0.0	REQUEST. BY	EWR102521										
DESIGN DEP.	NOT INDICATED	DATE	21-AGO-07										
ASSEMBLY DEP.	CHANFERS 0.0X00"	OIL SEPARATOR										DRAWN BY ALEJANDRA	CHECKED BY XXXXXX
QUALITY DEP.	NOT INDICATED											APPROVED BY ING. MERCADO	DATE 22/05/96
PACKAGING DEP.	RADIOS ±0.0											DIMENSIONS mm[INCH]	DEPTO. PRODUCT ENGINEERING
PURCHASING	NDT SPECIFIED FINISHED 63											SCALE WITHOUT	
CUSTOMER	No. OF DOCUMENT: Fig-001 REV.004												
PLANT 2													
PLANT 1													
SUPPLIERS													

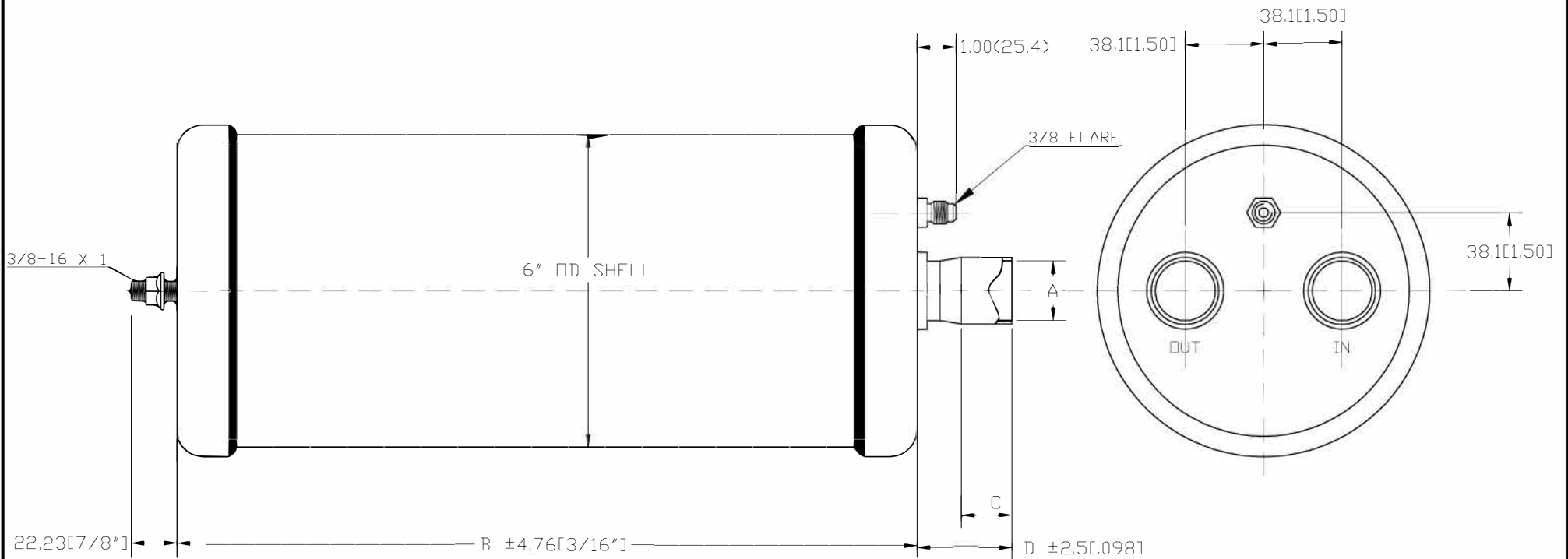


TABLE DIMENSIONS						
MODEL	GDL PCN	FLOW PCN	øA	B	C	D
A-W56909	8188	065152	1 1/8" □, D, S.	335.6 [14]	23.01 [0.906]	38.1 [1.50]
A-W56929	8189	065153	1 1/8" □, D, S.	431.8 [17]	23.01 [0.906]	38.1 [1.50]
A-W569011	3522	060978	1 3/8" □, D, S.	335.6 [14]	24.58 [0.968]	44.45 [1.75]
① A-W569411	0755	066646	1 3/8" □, D, S.	431.8 [17]	24.58 [0.968]	44.45 [1.75]
A-W569213	3523	060979	1 5/8" □, D, S.	431.8 [17]	30.15 [1.187]	50.8 [2.0]
A-W569417	3524	060980	2 1/8" □, D, S.	431.8 [17]	34.93 [1.375]	63.5 [2.5]

Note:

① SEPARATOR NOT CHARGED WITH OIL. NEEDS TO BE PRE-CHARGED WITH 20 OZ PRIOR TO SYSTEM START UP

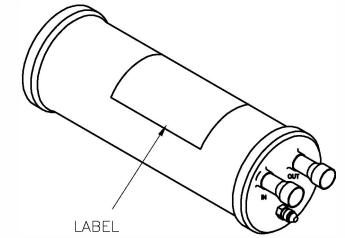
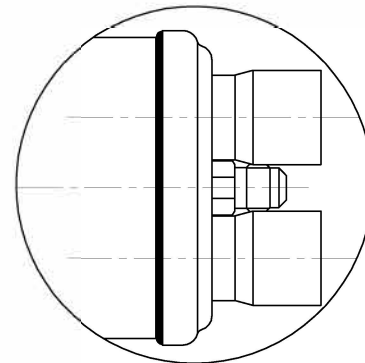
②

THIS PRINT IS THE PROPERTY OF EMERSON CLIMATE TECHNOLOGIES FLOW CONTROLS. IT IS ON LOAN FOR CONFIDENTIAL USE SUBJECT TO RETURN ON REQUEST, AND WITH THE MUTUAL UNDERSTANDING THAT IT WILL NOT BE USED IN ANY MANNER DETRIMENTAL TO THE INTERESTS OF EMERSON CLIMATE TECHNOLOGIES.

ESTE PLANO ES PROPIEDAD DE EMERSON CLIMATE TECHNOLOGIES MEXICO S.A. DE C.V. HA SIDO PRESTADO PARA USO CONFIDENCIAL SUJETO A RETORNARLO CUANDO SE REQUIERA EN EL MUTUO ENTENDIMIENTO QUE NO DEBERA USARSE EN NINGUNA FORMA EN PERJUICIO DE LOS INTERESES DE EMERSON CLIMATE TECHNOLOGIES MEXICO S.A. DE C.V.

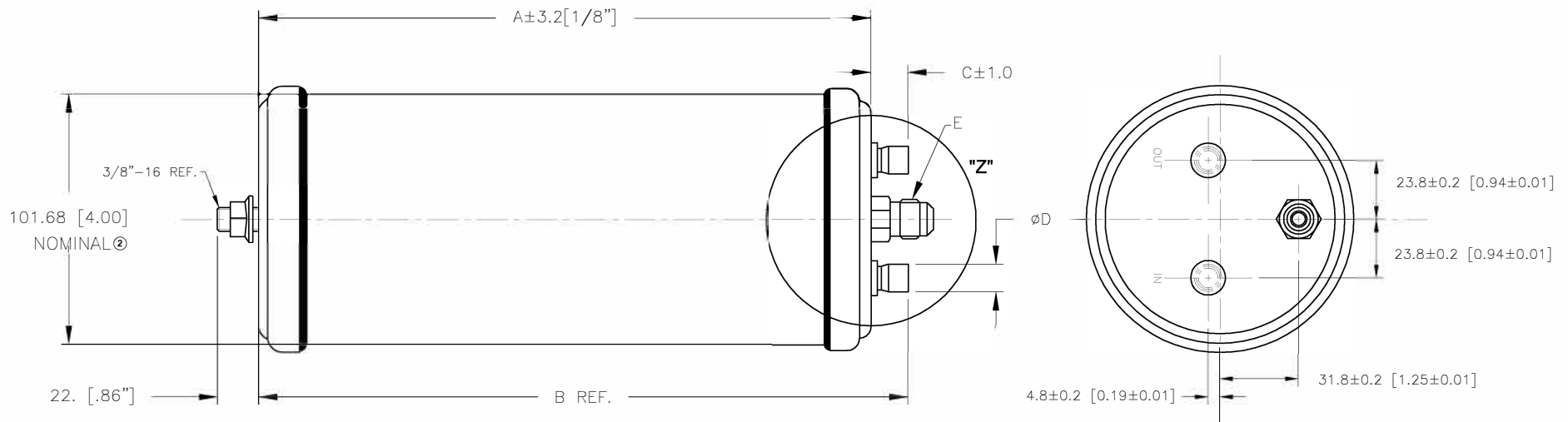
UNLESS OTHERWISE SPECIFIED NOT INDICATED TOLERANCES		CHARACTERISTIC ACCORDING TO SEP 200-7:		DRAWN BY	REF. PROJECT:	
No. OF DIGITS	TOLERANCES	⊕ CRITICAL	▽ MAJOR	RICARDO G	XXXXX	
DECIMALS	±2 [0.01"]	MATERIAL CODE:		DATE	PRODUCT FAM.	
ANGLES	±1°	MATERIAL:		07-ABR-06	FAMSEP	
BRAKE SHARP EDGES	0.25 [0.01"] MAX.	FINISH:		APPROVED BY	DEPTO.	TITLE
INSIDE RADI	0.40 [0.015"] MAX.	DIMENSIONS		ING. MERCADO	PRODUCT ENGINEERING	5600 OIL SEPARATORS
MACHINED SURFACE FINISH	3.2 [125] MAX.	mm [inches]		SCALE	WITHOUT	DRAWING No.
REV.	1 2	1 OF 1		WITHOUT	WITHOUT	F06543
REV. BY	SAN SAN	SHEET		WITHOUT	WITHOUT	
REQUEST. BY	EWR104276 EWR104741	1 OF 1		WITHOUT	WITHOUT	
DATE	27/09/2012 28/05/14	1 OF 1		WITHOUT	WITHOUT	

EMERSON PCN	GDL PART NUMBER	MODEL	"A"	"B"	"C"	∅D	"E" CONNECTION FLARE
061146	9606	A-XW55824					1/4 FLARE
060933	3525	A-W55824	248.50 [9.78"]	273.85 [10 3/4"]	24.80 [0.97"]	1/2	3/8 FLARE
061147	9607	A-XW55855					1/4 FLARE
060934	3526	A-W55855	297.00 [11.70"]	335.00 [13 3/16"]	38.30 [1.50"]	5/8	3/8 FLARE
061148	9608	A-XW55877					1/4 FLARE
060931	3527	A-W55877	344.50[13.56"]	381.2[15"]	36.70[1.44"]	7/8	3/8 FLARE
061149	9609	A-XW55889					1/4 FLARE
060974	3528	A-W55889	368.50[14.50"]	412.75[16 1/4"]	44.90[1.76"]	1 1/8	3/8 FLARE
③ 060675 ②	0707	A-W55907	448.70[17.66"]	485.40[19.118"]	36.70[1.44"]	7/8	3/8 FLARE
061150	9610	A-XW559011					1/4 FLARE
060930	3529	A-W559011	448.70[17.66"]	495.30[19 1/2"]	47.80[1.88"]	1 3/8	3/8 FLARE
061151	9611	A-XW559213					1/4 FLARE
060975	3530	A-W559213	448.70[17.66"]	504.80[19 7/8"]	56.60[2.23"]	1 5/8	3/8 FLARE



DETAIL "Z" NECK EXTRUDED TO INSIDE  
ON MODELS A-XW55889, A-W55889  
A-XW559011 & A-W559011

①  
③



Note:

② "SEPARATOR NOT CHARGED WITH OIL. NEEDS TO BE PRE-CHARGED WITH 17 OZ PRIOR TO SYSTEM START UP"

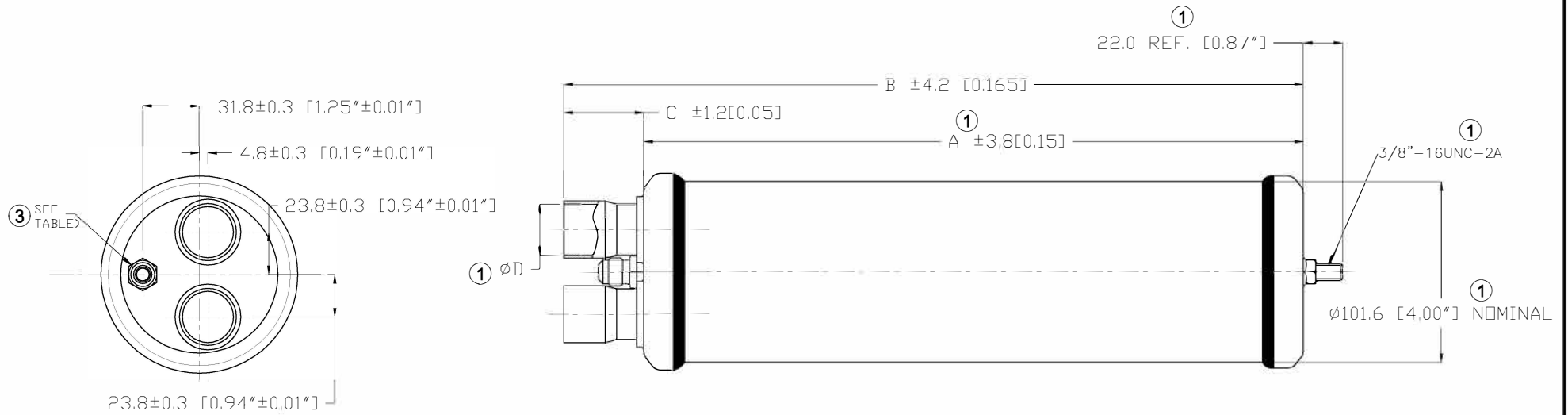
③

THIS PRINT IS THE PROPERTY OF EMERSON CLIMATE TECHNOLOGIES FLOW CONTROLS. IT IS ON LOAN FOR CONFIDENTIAL USE SUBJECT TO RETURN ON REQUEST, AND WITH THE MUTUAL UNDERSTANDING THAT IT WILL NOT BE USED IN ANY MANNER DETRIMENTAL TO THE INTERESTS OF EMERSON CLIMATE TECHNOLOGIES.

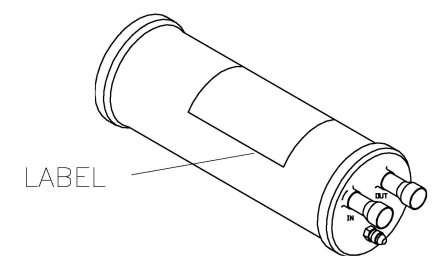
ESTE PLANO ES PROPIEDAD DE EMERSON CLIMATE TECHNOLOGIES MEXICO S.A. DE C.V. HA SIDO PRESTADO PARA USO CONFIDENCIAL SUJETO A RETORNARLO CUANDO SE REQUIERA EN EL MUTUO ENTENDIMIENTO QUE NO DEBERA USARSE EN NINGUNA FORMA EN PERJUICIO DE LOS INTERESES DE EMERSON CLIMATE TECHNOLOGIES MEXICO S.A. DE C.V.

UNLESS OTHERWISE SPECIFIED NOT INDICATED TOLERANCES		CHARACTERISTIC ACCORDING TO SEP 200-7:		DRAWN BY RICARDO G.		REF. PROJECT: EWR102061			
No. OF DIGITS TOLERANCES X (X.X) ±0.05 [0.02] X.X (X.XXX) ±0.15 [0.0625]		⊕ CRITICAL   ∇ MAJOR		DATE 31-AGO-06		PRODUCT FAM. FAMSEP			
ANGLES BREAK SHARP EDGES ±1° INSIDE RADI 0.25 [0.01"] MAX 0.40 [0.015"] MAX		MATERIAL CODE:		APPROVED BY ING. MERCADO		DEPTO. PRODUCT ENGINEERING		DRAWING No. F06546	
MACHINED SURFACE FINISH 3.2(125) MAX		FINISH:		SCALE WITHOUT		SHEET 1 - 1			
REV. 2 3		DIMENSIONS mm [inches]		SHEET		1 - 1			
REV. BY SAN SAN									
REQUEST BY EWR104588 EWR104724									
DATE 22/11/2013 05/05/2014									





No	GDL	MODEL	PCN	A	B	C	D	SAE FITTING SIZE
1	0337	A-WZ-55824	066135	251.5 [9.906"]	276.85 [10 7/8"]	24.80 [0.97"]	1/2"	3/8"
2	0338	A-WZ-55855	066136	300.0 [11.811"]	338.00 [13 5/16"]	38.30 [1.50"]	5/8"	
3	0339	A-WZ-55877	066137	347.5 [13.681"]	384.2 [15 1/8"]	36.70 [1.44"]	7/8"	
4	0340	A-WZ-55889	066138	371.5 [14.626"]	415.75 [16 3/8"]	44.90 [1.76"]	1 1/8"	
5	0341	A-WZ559011	066139	451.7 [17.783"]	498.30 [19 5/8"]	47.80 [1.88"]	1 3/8"	
6	0869	A-XWZ-55824	066680	251.5 [9.906"]	276.85 [10 7/8"]	24.80 [0.97"]	1/2"	1/4"



NOTES:

- ① PAINT BLUE PANTONE 295C ①
- 02 MWP 600 PSIG
- 03 LABEL PINK ①
- 04 SEPARATOR NOT CHARGED WITH OIL. NEEDS TO BE PRE-CHARGED WITH 17 OZ PRIOR TO SYSTEM START UP

THIS PRINT IS THE PROPERTY OF EMERSON CLIMATE TECHNOLOGIES FLOW CONTROLS. IT IS ON LOAN FOR CONFIDENTIAL USE SUBJECT TO RETURN ON REQUEST, AND WITH THE MUTUAL UNDERSTANDING THAT IT WILL NOT BE USED IN ANY MANNER DETRIMENTAL TO THE INTERESTS OF EMERSON CLIMATE TECHNOLOGIES.

ESTE PLANO ES PROPIEDAD DE EMERSON CLIMATE TECHNOLOGIES MEXICO S.A. DE C.V. HA SIDO PRESTADO PARA USO CONFIDENTIAL SUJETO A RETORNARLO CUANDO SE REQUIERA EN EL MUTUO ENTENDIMIENTO QUE NO DEBERA USARSE EN NINGUNA FORMA EN PERJUICIO DE LOS INTERESES DE EMERSON CLIMATE TECHNOLOGIES MEXICO S.A. DE C.V.

UNLESS OTHERWISE SPECIFIED NOT INDICATED TOLERANCES		CHARACTERISTIC ACCORDING TO SEP 200-7:		DRAWN BY CESAR F.	REF. PROJECT: EWR102894	
No. OF DIGITS	TOLERANCES	CRITICAL	MAJOR	DATE 05-SEP-08	PRODUCT FAM. FAMSEP	
X [X.X]	±2 [0.1]			APPROVED BY JM. FLORES	DEPTO. PRODUCT ENGINEERING	
X [X.XX]	±0.5 [0.02]			SCALE WITHOUT	TITLE OIL SEPARATOR 4"	
X [X.XXX]	±0.13 [0.005]			SHEET 1 - 1	DRAWING No. F06565	
ANGLES	±1°	DIMENSIONS		DATE		
BRAKE SHARP EDGES	0.25 [0.01] MAX	REV.	mm [inches]	28/05/14		
INSIDE RADI	0.40 [0.015] MAX	2		18/08/14		
MACHINED SURFACE FINISH	3.2(125) MAX	3				
REV.		SAN				
REV. BY		CFV				
REQUEST BY	EWR104741	EWR104788				

