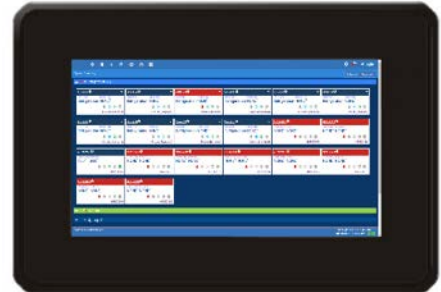


Site Supervisor

10.1-Inch Display (P/N 818-7240)

The Site Supervisor 10.1-Inch Display (P/N 818-7240) is a remote user interface for the Site Supervisor that connects to the controller using the Ethernet network through the Ethernet port. The Site Supervisor UI allows users to perform critical actions in the controller quickly. Functions such as lighting overrides, controlling heating and cooling stages, status information, and viewing alarms can all be performed using the 10.1-Inch Display.



WARNING

General Warnings and Safety Precautions

- The Display should not be used for purposes different from those described in this guide. It cannot be used as a safety device.
- When using an external power supply, it is necessary to separate the power of the device from the rest of the electrical devices connected inside the electrical panel.
- Disconnect all electrical connections before any kind of maintenance is performed.
- Do NOT open the Site Supervisor Display. Do NOT open the panel rear cover when power is applied.
- Check that the supply voltage is correct before connecting.
- Do not expose to water or moisture: use the controller only within its operating limits to avoid sudden temperature changes with high atmospheric humidity to prevent condensation.
- Wire polarity must be observed: a wrong connection may cause possible malfunctioning and damage to the controller or display.

For a copy of the full Supervisor Guide (P/N 026-1803), visit <https://www.copeland.com/en-us/products/controls-monitoring-systems/facility-controls-electronics> or contact Copeland Customer Service at 770-425-2724.

Display Connections

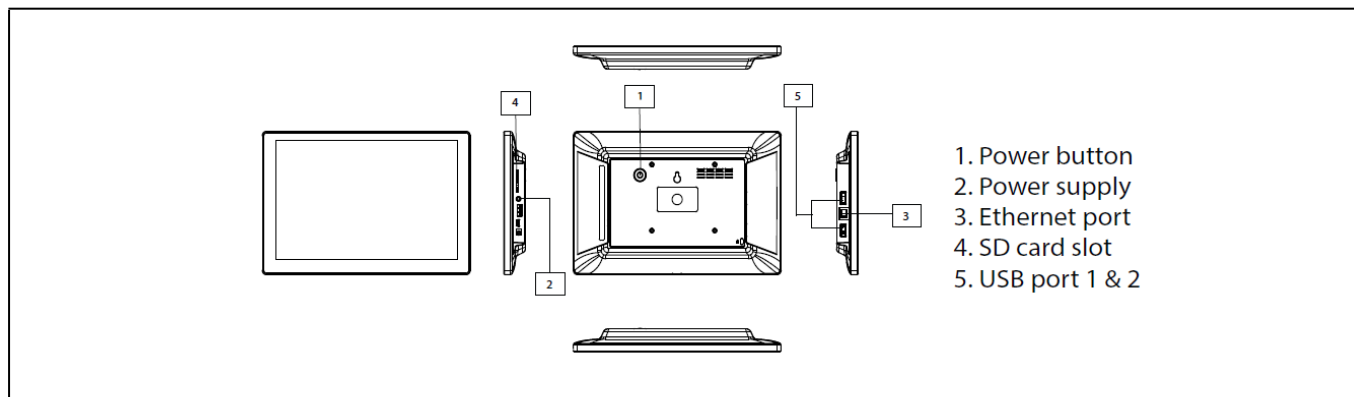


Figure 1 - Display Connections

Specifications

Table 1 - Product Specifications

10.1-Inch Display for Site Supervisor	
Screen Size	10.1 Inch
Screen Type	Capacitive Multi-Touch
Resolution	1280 x 800
Material	ABS Black
Mounting Type	75mm x 75mm Mount
CPU	1.8 GHZ quadcore
Memory	RAM 2GB, HDD 16GB
Network	1 RJ54 Ethernet Port
WIFI	Optional
Unit Size	10.257" x 7.029" x 1.004" (260.54mm x 178.54mm x 25.50mm)
Rating	Commercial
Temp Rating	-4°F to 140°F (-20°C to 60°C)
Power Supply	12VDC 2A max

Mounting Dimensions

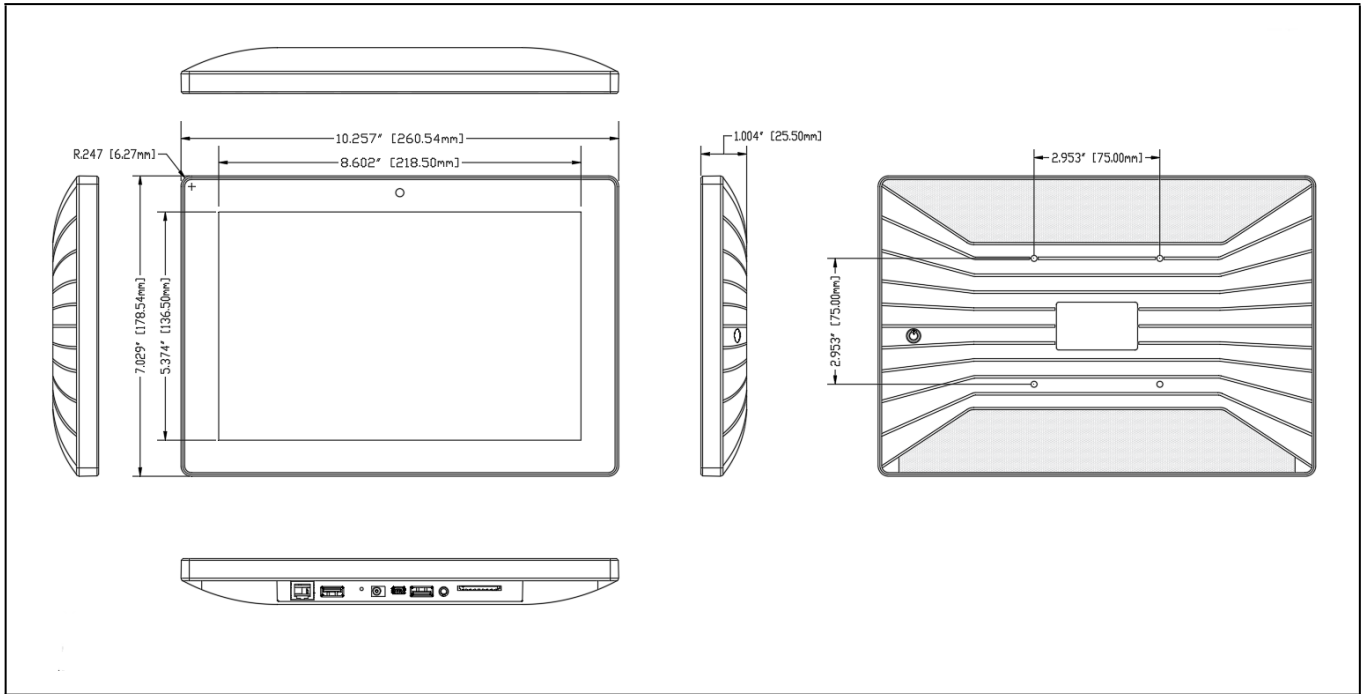


Figure 2 - 75mm x 75mm Mount

Direct Connect to Site Supervisor

1. Connect the power supply to the Display.
2. Connect one end of the network cable to ETH1 of the Site Supervisor and the other to the Ethernet port of the 10.1-Inch Display.

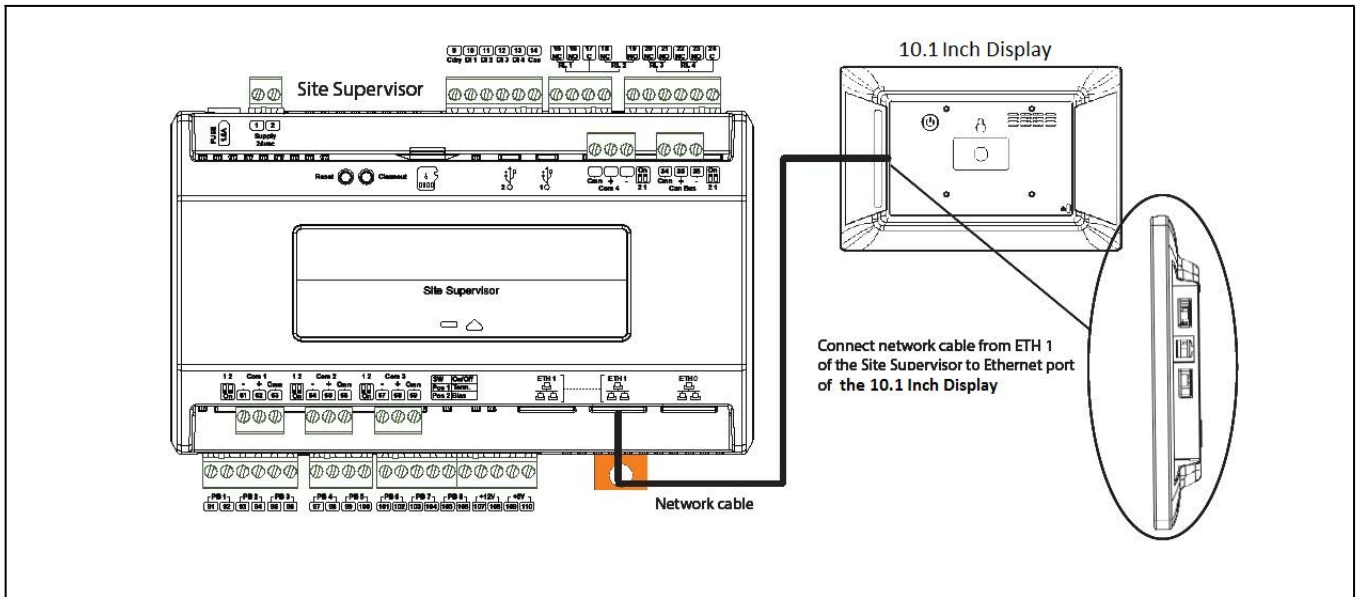




Figure 3 - Direct Connect Display to Site Supervisor

- Once you have connected the network cable to the Site Supervisor and 10.1-Inch Display, press the menu icon  and then press the browser icon . You will now have access to the Site Supervisor through the Display.

Note: If the Site Supervisor has already been set up, you can skip steps 4-6 and log into your Site Supervisor. If this is the initial setup of the Site Supervisor, continue following the steps to set up the Site Supervisor.

- Once you have accessed the Site Supervisor via the 10.1-Inch Display, you will be prompted to log in. The username will be "user" and the password will be "pass."

Note: Look at the lower right of the screen to see the version of the Site Supervisor. If the version is 2.06 or above, you will be prompted to change the password.

- Once you have changed the password, you will be on the Localization menu in the Setup Wizard. Press the Next arrow key at the top right of the screen.
- This will take you to the General Setup Parameter where you will need to enter a Site Name. Once the Site Name has been entered, you will be able to log into the Site Supervisor.

Part Number	Description
818-7240	Site Supervisor Display10-Inch, Display Only
818-7243	Kit, 10-Inch Display, mount, and screws

Scan the QR code to access the Site Supervisor web page:



Visit our website at copeland.com/en-us/products/controls-monitoring-systems for the latest technical documentation and updates. For Technical Support call **833-409-7505** or email ColdChain.TechnicalServices@Copeland.com