

Adjustable safety pressure controls CS1 series

For subcritical CO₂ applications

The first adjustable safety pressure control with a maximum working pressure of 70 bar.

Features and benefits

- Two ranges, 6 and 7 with narrow adjustable differential
- Precise switching and repeatability; Snap action contacts => Chatter free (bounce free) and accurate operation
- Contacts are designed as SPDT (Single pole double throw) for control function and alarm/status reporting
- 2 million cycles reliability (TÜV EN 12263 approved)
- Maximum working pressure
- Factory test pressure
- Pressure range 6
 - Pressure limiter, automatic reset, type approval EN12263 (PSH)
 - Versions with adjustable range available between 10 bar to 45 bar
 - Adjustable differential pressure setting between 4 bar to 10 bar
- Pressure range 7
 - Pressure limiter, automatic reset, type approval EN 12263 (PSH)
 - Versions with adjustable range available between 15 bar to 65 bar
 - Adjustable differential pressure setting between 5 bar to 10 bar



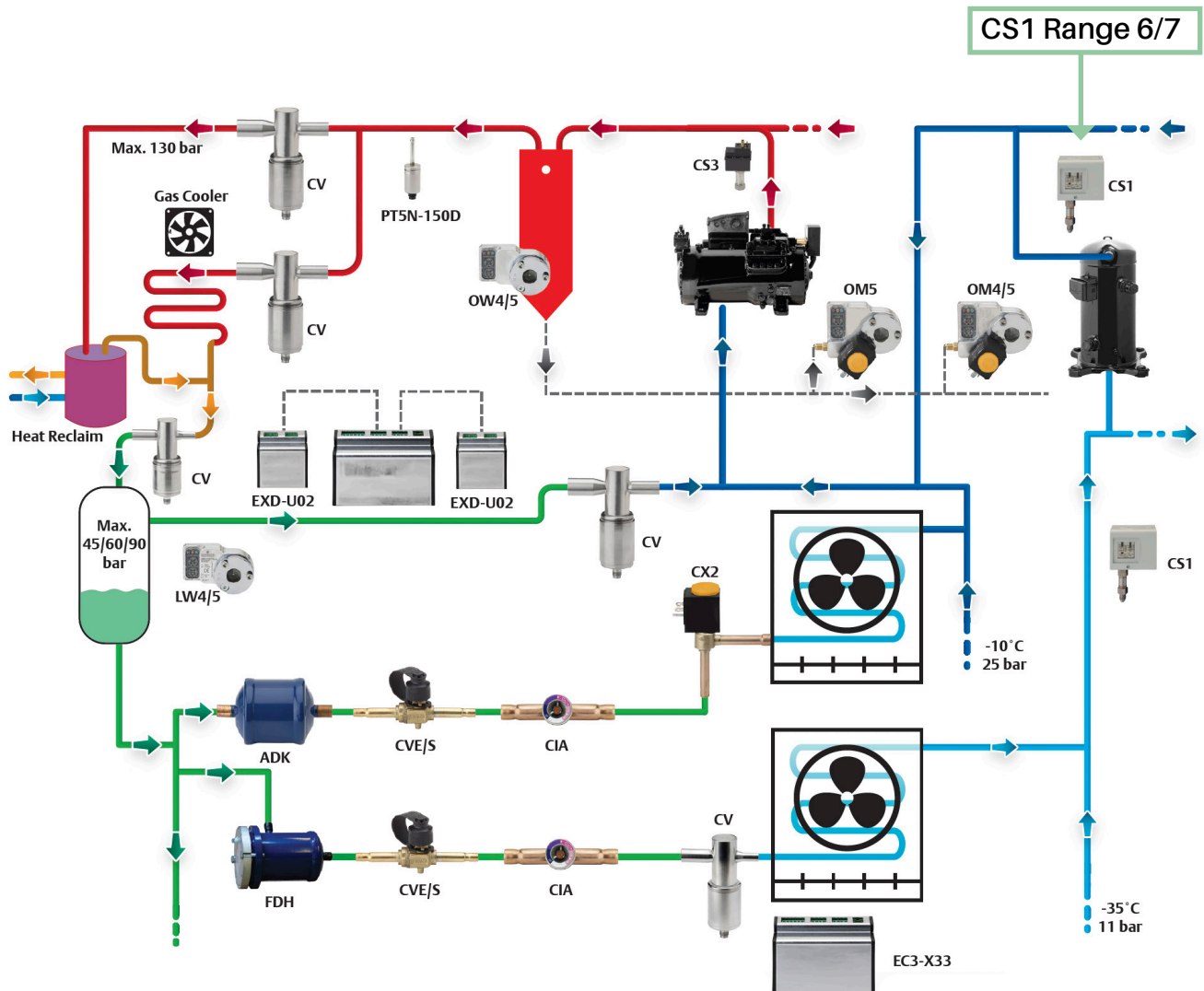
Standard type products:

Type	PCN	Adjustable range bar	Factory setting bar	Leakage test pressure bar	Pressure connection
CS1-W6A	812 004 812 004M*	10... 45	28 / 20	77	7/16"-20 UNF male
CS1-W7A	812 005 812 005M*	15... 65	40 / 32	77	

*Multipack version (20 pieces).

COPELAND

CS1 application in CO₂ systems



For more details, see copeland.com/en-gb

Copeland Europe GmbH
 Pascalstrasse 65 - 52076 Aachen, Germany
 Tel. +49 (0) 2408 929 0 - Fax: +49 (0) 2408 929 570 - Internet: copeland.com/en-gb
 The Copeland logo is a trademark and service mark of Copeland LP or one of its affiliates. Copeland Europe GmbH shall not be liable for errors in the stated capacities, dimensions, etc., as well as typographic errors. Products, specifications, assumptions, designs and technical data contained in this document are subject to modification by us without prior notice. Illustrations are not binding.
 ©2024 Copeland LP. All rights reserved.

COPELAND