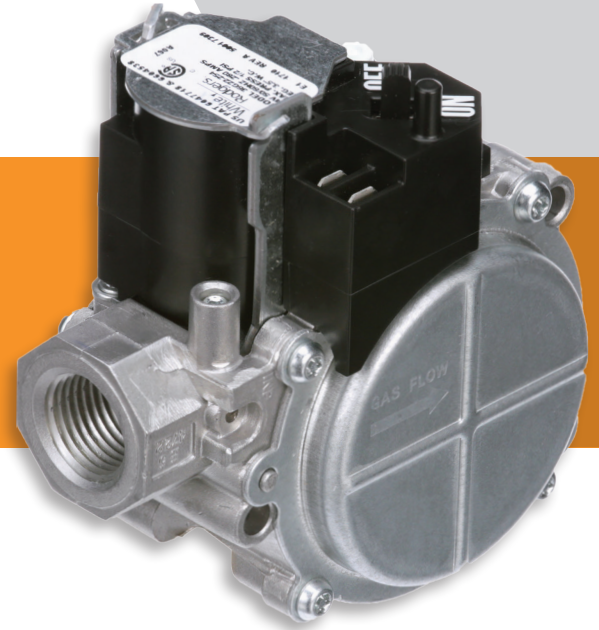


# 36G-36J Series Electronic Ignition Gas Valves

80% of furnaces made in the past  
15 years can be serviced with six  
36J Gas Valve models



## Trusted by more OEMs

White-Rodgers is the largest gas valve  
manufacturer in North America

More OEMs use White-Rodgers than any  
other brand



## Ease of Installation

Quick connect spade terminals

Most models include LP conversion kit

Reducer bushing kit included on most  
models

## DID YOU KNOW?

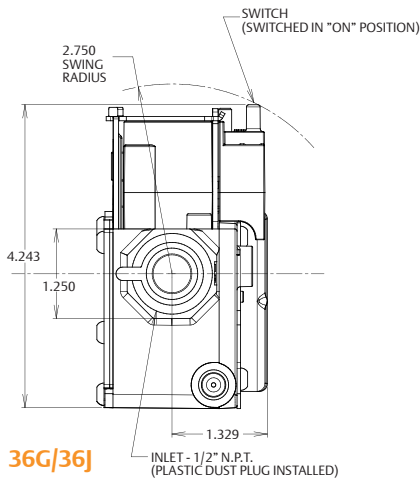
36J series gas valves  
replace over 500 models.

DRAFT  
12.0.21.2  
WHITE-RODGERS™

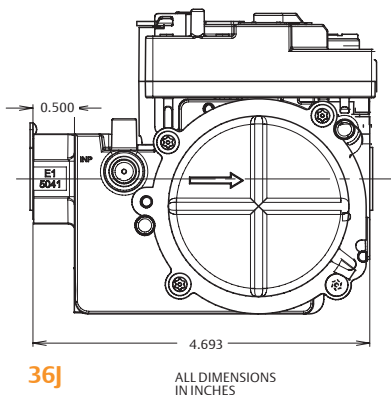
  
EMERSON™

## FEATURES:

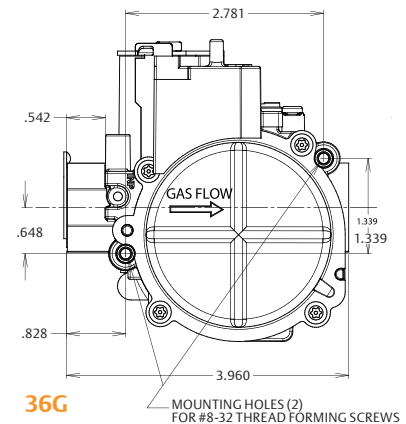
- Convertible - natural or LP gas
- Adjustable regulator(s)
- Inlet/outlet screens
- Built-in pressure taps
- Electric on-off switch
- Quick connect spade terminals
- Tamper resistant screws and controlled gasket compression to withstand high inlet pressures



36G/36J



36J



36G

## SPECIFICATIONS:

### Electrical Rating

.28 Amps (Single Stage)

.43 Amps (Two-Stage)

### Operating Voltage

24 Vac 50/60 Hz

### Temperature Operating Range

-40° to 175° F (-40° to 79° C)

### Maximum Pressure Rating

1/2" PSI 14.0" WC

### Inlet & Outlet Pressure Taps

1/8" NPT

### Mounting

Multipoise

### Agency Approvals

CSA

Valve (Stages)	Pipe Size	1" Pressure Drop Capacity		Range of Regulation	
		BTU/HR		BTU/HR	
		Std. Gas 64 Sp. Gr. (1000 Btu/ft3)	LP Gas 1.53 Sp. Gr. (2500 Btu/ft3)	Std Gas 64 Sp. Gr. (1000 Btu/ft3)	LP Gas 1.53 Sp. Gr. (2500 Btu/ft3)
Single	1/2" x 1/2"	140,000	226,800	20,000-210,000	65,000-340,000
Two	1/2" x 1/2"	140,000	226,800	20,000-210,000	65,000-340,000
Modulating	1/2" x 1/2"	140,000	226,800	40,000-210,000	65,600-340,000

## WR MOBILE APP

Answers at your fingertips, with your smartphone or tablet.



Voltage	Stages / Opening	Pipe Size	Regulator Setting	Natural Gas Adj. Range (WC)	Lp Gas Adj. Range (WC)	LP Kit Incl.	Reducer Bushing Kit	Flow Direction	Inlet / Outlet Pressure Tap	HSI / DSI	Intermittent / Proven Pilot	Flange Mount Capable	Model Number	Item Number
24 Vac 50/60Hz	1 - Stage Fast Open	1/2" X 1/2"	3.5"	2.5"-5.0"	7.0"-12.0"	No**	No	Str. Thru	Yes / Yes*	Yes	No	No	36G22-254	36G22-254
24 Vac 50/60Hz	1 - Stage Fast Open	1/2" X 1/2"	3.5"	2.5"-5.0"	7.0"-12.0"	Yes	No	Str. Thru	Yes / Yes* NPT & Towers	Yes	Yes	Yes	36G32-500	36G32-500
24 Vac 50/60Hz	1 - Stage Slow Open	1/2" X 1/2"	3.5"	2.5"-5.0"	7.0"-12.0"	Yes	No	Str. Thru	Yes / Yes* NPT & Towers	Yes	Yes	Yes	36G33-500	36G33-500
24 Vac 50/60Hz	1 - Stage Fast Open	1/2" X 1/2"	3.5"	2.5"-5.0"	7.0"-12.0"	Yes	No	Str. Thru	Yes / Yes	Yes	No	No	36J22Y-212 <sup>1</sup>	36J22Y-212
24 Vac 50/60Hz	1 - Stage Fast Open	1/2" X 1/2"	3.5"	2.5"-5.0"	7.0"-12.0"	Yes	Yes	Str. Thru	Yes / Yes	Yes	No	No	36J22-214	36J22-214
24 Vac 50/60Hz	1 - Stage Slow Open	1/2" X 1/2"	3.5"	2.5"-5.0"	7.0"-12.0"	Yes	Yes	Str. Thru	Yes / Yes	Yes	No	No	36J24-214	36J24-214
24 Vac 50/60Hz	Modulating	1/2" X 1/2"	3.5"	0.4"-4.0"	1.3"-11.5"	Yes	Yes	Str. Thru	Yes / Yes	Yes	No	No	36J27-554	36J27-554
24 Vac 50/60Hz	2 - Stage Fast Open	1/2" X 1/2"	1.5" Low 3.5" High	1.0"-4.0" Low 2.0"-5.0" High	4.0"-10.0" Low 6.0"-12.0" High	Yes	Yes	Str. Thru	Yes / Yes*	Yes	No	No	36J54-214	36J54-214
24 Vac 50/60Hz	2 - Stage Slow Open	1/2" X 1/2"	1.5" Low 3.5" High	1.0"-4.0" Low 2.0"-5.0" High	4.0"-10.0" Low 6.0"-12.0" High	Yes	Yes	Str. Thru	Yes / Yes*	Yes	No	No	36J55-214	36J55-214
24 Vac 50/60Hz	1 - Stage Slow Open	1/2" X 1/2"	3.5"	2.5"-5.0"	7.0"-12.0"	Yes	No	90° Bottom Outlet	Yes / Yes*	Yes	No	No	36J24-614	36J24-614
24 Vac 50/60Hz	2 - Stage Slow Open	1/2" X 1/2"	1.5" Low 3.5" High	1.0"-4.0" Low 2.0"-5.0" High	4.0"-10.0" Low 6.0"-12.0" High	Yes	No	90° Bottom Outlet	Yes / Yes*	Yes	No	No	36J55-614	36J55-614

\* To measure outlet pressure on valves, loosen outlet pressure tap screw one quarter turn and put manometer hose over the top of the outlet pressure tap.

\*\* Use F92-0659 to convert to regulated L.P. gas. Not for Standing Pilot <sup>1</sup> Goodman specific max regulation feature.