

Dew Cell Dew Point Probe (P/N 203-1902)

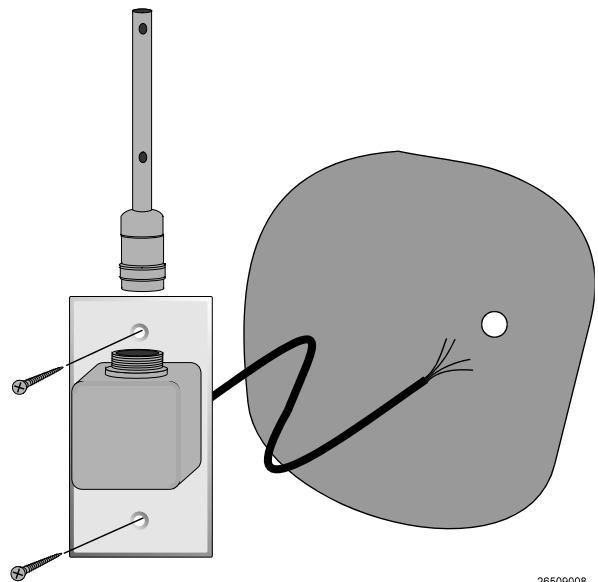
Overview

The Dew cell dew point probe can be used to monitor the dew point of a particular area. The probe should be mounted in a relatively dust free area with the probe in an "up" position.



Mounting

The Dew cell dew point probe should be located four to six feet from the floor with the probe pointing up. An area with minimum exposure to dust is recommended. Mount the probe using the standard switch cover supplied with the unit, as shown in **Figure 1**.



26509008

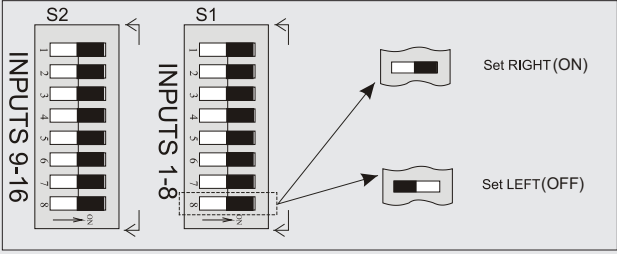
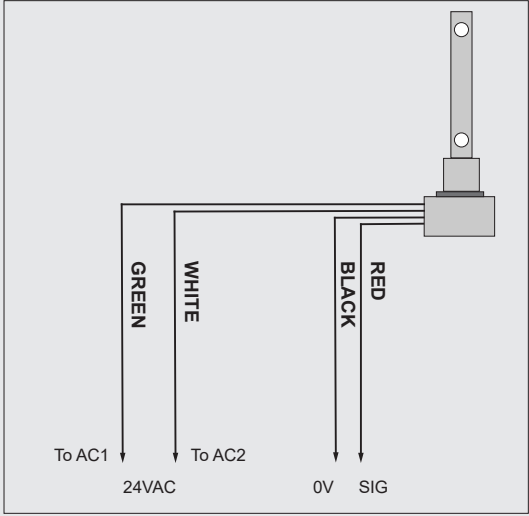
Figure 1 - Dew Cell Dew Point Probe Mounting

Location

The Dew cell dew point probe (P/N 203-1902) should be located 4 to 6 feet from the floor with the probe pointing up. It is recommended that the Dew cell dew point probe is mounted in an area where it will be exposed only to minimal amounts of dust.

Wiring

Use Shielded 4 conductor at least 22 AWG cable (Belden 8729 or equivalent).

P/N	Sensor	Input Type Dip Switch	Wiring
		<p>Dip switch MUST be set to the RIGHT (ON) position.</p> 	<ol style="list-style-type: none"> 1. Connect the WHITE and GREEN wires to the 24VAC. 2. Connect the BLACK ground wire to 0V input terminal. 3. Connect the RED signal wire to SIG input terminal.
203-1902	Dew cell dew point probe	Up	

Visit our website at copeland.com/en-us/products/controls-monitoring-systems for the latest technical documentation and updates.

For Technical Support call 833-409-7505 or email ColdChain.TechnicalServices@Copeland.com