

KwikSwitch BLE spec sheet

94100-B

*Solutions to help you achieve
your foodservice goals*

The KwikSwitch BLE is a folding thermocouple instrument that transmits temperatures wirelessly to your mobile device via **Bluetooth Low Energy**. Simply rotate the probe to the opened position and Bluetooth is also turned ON. The KwikSwitch BLE is ready to connect to an app running on a mobile device.

Featuring a replaceable probe, the KwikSwitch BLE maintains a total system accuracy of $\pm 1^{\circ}\text{F}$ ($\pm 0.5^{\circ}\text{C}$). This NSF listed unit and probe is made of durable ABS plastic and is IPX7* waterproof rated. This easy-to-use device turns on and off by simply flipping the probe open and closed and includes an automatic shut-off after 10 minutes to conserve battery life. The large LCD screen makes it easy to read. The reduced tip on the stainless-steel probe allows for rapid response times.

Includes

KwikSwitch Instrument and DuraNeedle Direct Connect Probe with screw-in flanged connection.

Recommended for added robustness

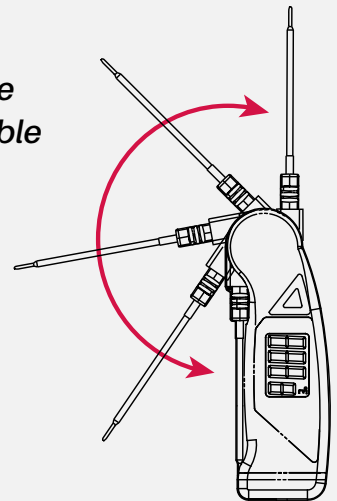
Rubber boot 9418 wraps around the unit for protection - sold separately.



Folding Thermocouple features interchangeable Type K probes

Maintains Total System Accuracy when replacing with new 53337-K probe

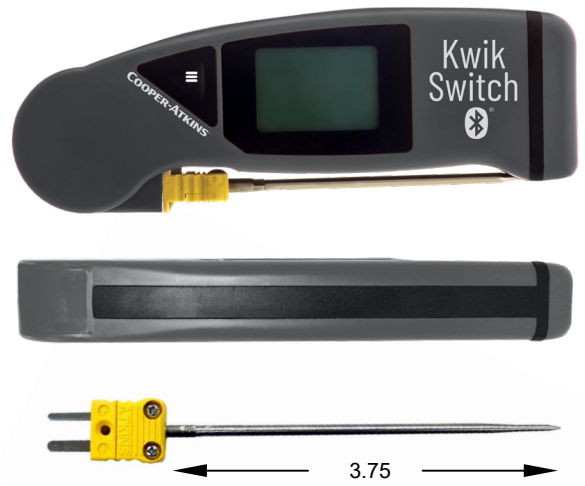
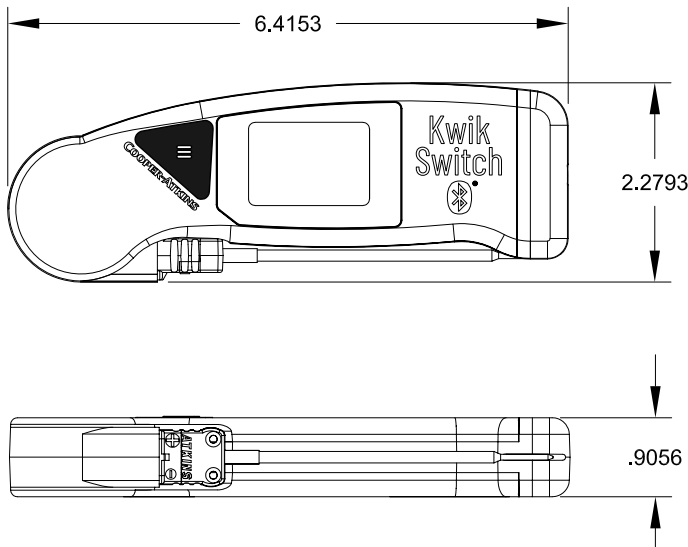
Compatible with Induction Cooking Equipment



COOPER-ATKINS



Mechanical drawing



Specifications

94100-B KwikSwitch Folding Thermocouple with Probe

- **Temperature Range:** -40° to 500°F (-40° to 260°C)
- **Total System Accuracy:** ±1°F (±0.5°C) from -40° to 212°F (-40 to 100°C)
- **Instrument Accuracy:** ±0.5°F (±0.3°C) from -40° to 212°F (-40 to 100°C)
- **Resolution:** 0.1
- **Display Update Rate:** 0.5 seconds
- **ABS Plastic housing**
- **Folding probe with storage slot for 53337-K probe**
- **Large easy to read LCD with 0.75" digits**
- **Auto Shut-off:** after 10 minutes of inactivity
- **Low battery indicator**
- **IPX7* waterproof rated** (*submerged 30" for 30 mins)
- **Battery operated** (2 AAA 1.5V Alkaline) **included**
- **Battery Life:** 1000 hours (without backlight active)
- **Limited Warranty:** 5-year instrument



53337-K Replacement DuraNeedle Probe

- **Temperature Range:** -40° to 500°F (-40° to 260°C)
- **Probe Accuracy:** In-field replacement will maintain ± 1°F TSA
- **Response Time:** 1 second (liquid)
- **Probe Length:** 3.75" (95 mm)
- **Probe Diameter:** 0.13" (3.3 mm) with 0.067" (1.70 mm) reduced tip
- **Probe storage slot designed to fit 53337-K probe**
- **Limited Warranty:** 1-year probe

Packaging

- **Individual Package Weight:** 7 oz. (198 grams) w/ probe
- **Package Dimensions:** 5.375" x 9.125" x 1.125" (137 mm x 232 mm x 29 mm)
- **Package Cube:** 0.03
- **Units per Package (6) / Units per master carton (36)**

Copeland Cold Chain LP
67-1871 | V0724

To learn more, visit copeland.com/cooper-atkins

©2024 Copeland LP.

COOPER-ATKINS